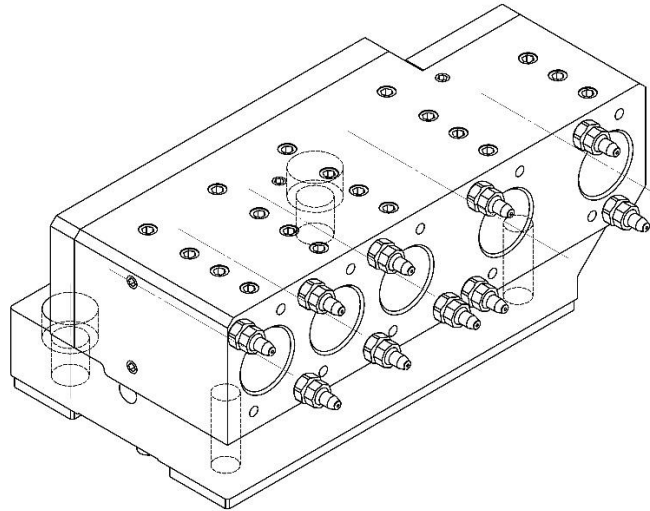


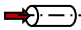
866-349-OF030

Machine: CITIZEN Cincom

Type: M532

Emplacement, N°: Coulisse linéaire

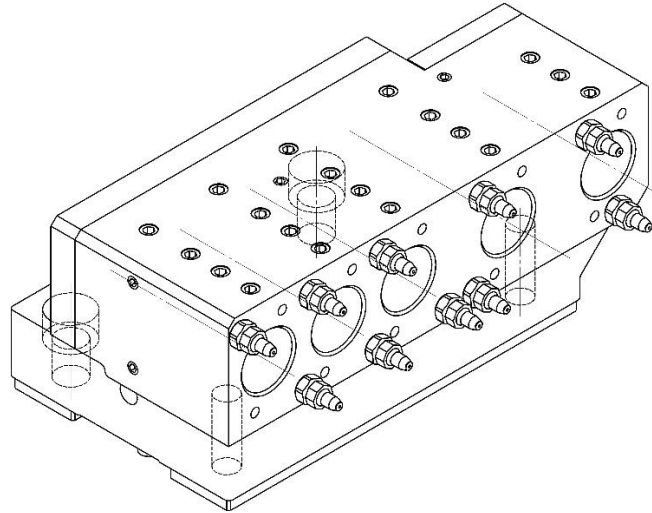
Travail sur: Broche de reprise

Type de travail:  n_{max} : - [rpm] i (n_i / n_o): -

Attachement: 5x Ø25.4 H5

Refroidissement externe / Refroidissement interne Pression maximale: 100 [bar]

Infos:

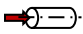
866-349-OF030

Machine: CITIZEN Cincom

Type: M532

Location, N°: Gangtool

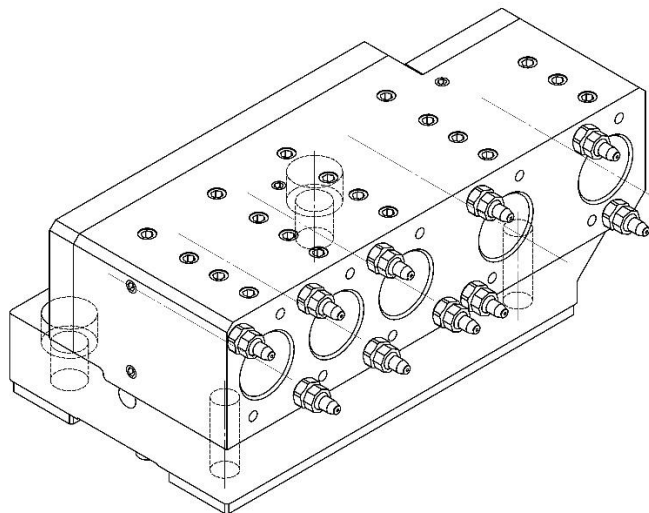
Work on: Back spindle

Type of work: n_{max}: - [rpm]i (n_i / n_o): -

Attachement: 5x Ø25.4 H5

External coolant / Internal coolant Maximum pressure: 100 [bar]

Infos:

866-349-OF030

Machine: CITIZEN Cincom

Typ: M532

Position, N°: Vertikalhalter

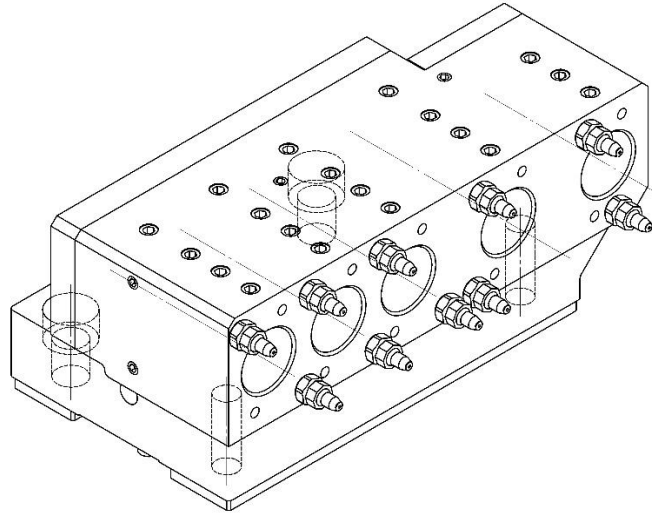
Arbeit über: Abgreifspindel

Arbeitstyp: n_{max}: - [rpm]i (n_i / n_o): -

Befestigung: 5x Ø25.4 H5

Ausser Kühlmittel / Inner Kühlmittel Maximaler Drück: 100 [bar]

Infos:

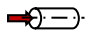
866-349-OF030

Macchina: CITIZEN Cincom

Tipo: M532

Posizione, N°: Slitta lineare

Lavoro al: Contromandrino

Tipo di lavoro:  n_{max} : - [rpm]i (n_i / n_o): -

Ataccamento: 5x Ø25.4 H5

Refrigerante esterno / Refrigerante interno Pressione massima: 100 [bar]

Informazioni: