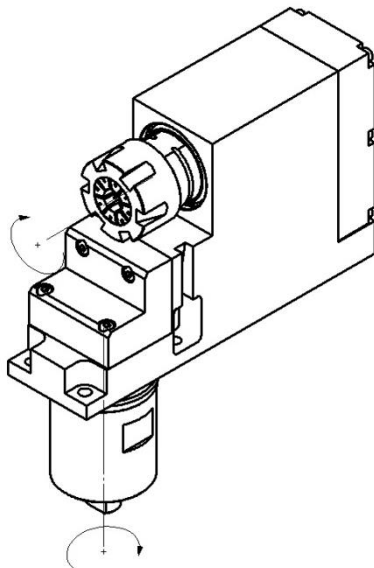
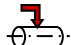
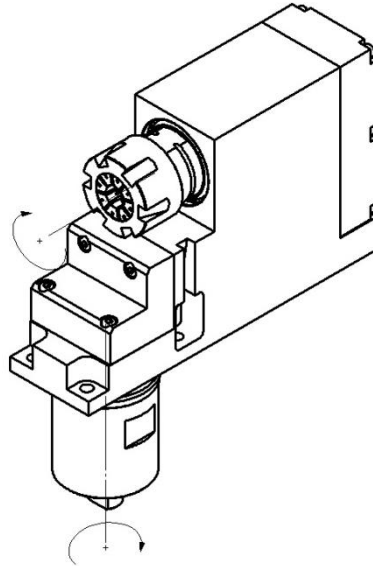

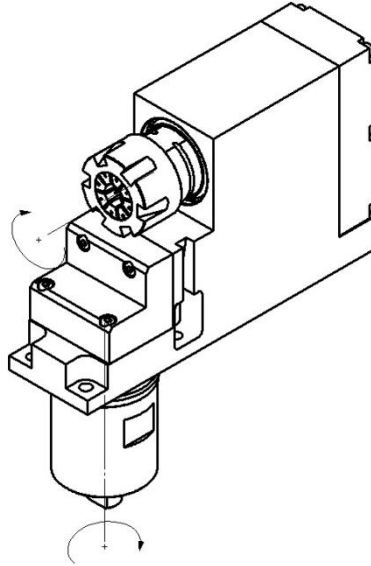



BO26-BSC-116

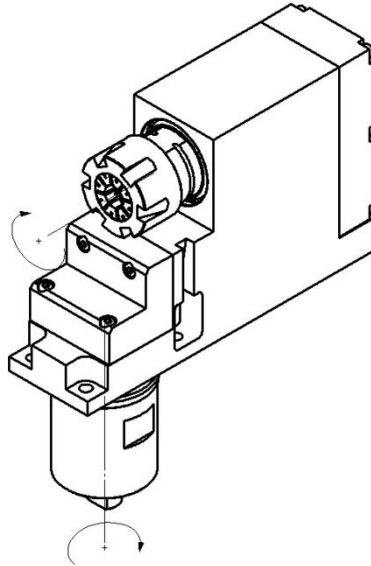
Machine: Tsugami
Type: BO26, BO32, BO38
Emplacement, N°: Coulisse linéaire, T31/T32/T33/T34
Travail sur: Broche de reprise
Type de travail: 
 n_{max} : 6'000 [rpm]
 $i (n_i / n_o)$: 1 / 1
Attachement: ER 25
Sans refroidissement
Infos:

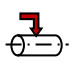
BO26-BSC-116

Machine: Tsugami
Type: BO26, BO32, BO38
Location, N°: Gangtool, T31/T32/T33/T34
Work on: Back spindle
Type of work: 
 n_{max} : 6'000 [rpm]
 $i (n_i / n_o)$: 1 / 1
Attachement: ER 25
Without coolant
Infos:

BO26-BSC-116

Maschine: Tsugami
Typ: BO26, BO32, BO38
Position, N°: Vertikalhalter, T31/T32/T33/T34
Arbeit über: Abgreifspindel
Arbeitstyp: 
 n_{max} : 6'000 [rpm]
 $i (n_i / n_o)$: 1 / 1
Befestigung: ER 25
Ohne Kühlmittel
Infos:

BO26-BSC-116

Macchina: Tsugami
Tipo: BO26, BO32, BO38
Posizione, N°: Slitta lineare, T31/T32/T33/T34
Lavoro al: Contromandrino
Tipo di lavoro: 
 n_{max} : 6'000 [rpm]
 $i (n_i / n_o)$: 1 / 1
Ataccamento: ER 25
Senza refrigerante
Informazioni: