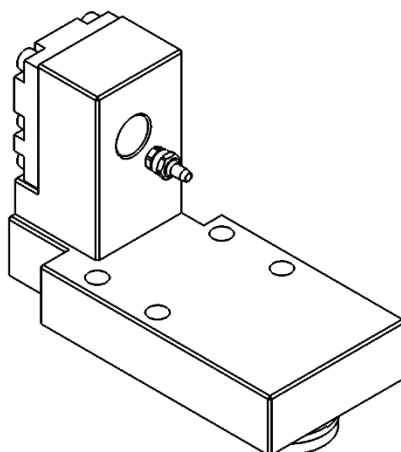


CDF101-160-HP

Machine: CITIZEN

Type: M220-III / M220-V / M232-III / M232-V / M320-III / M320-V / M332-III /
M332-V / M20-2M3 / M20-2M5 / M20-3M3 / M20-3M5 / M32-2M3 / M32-2M5 / M32-3M5 /
M32-4M5 / M32-4M8

Emplacement, N°: Turret

Travail sur: Broche principale

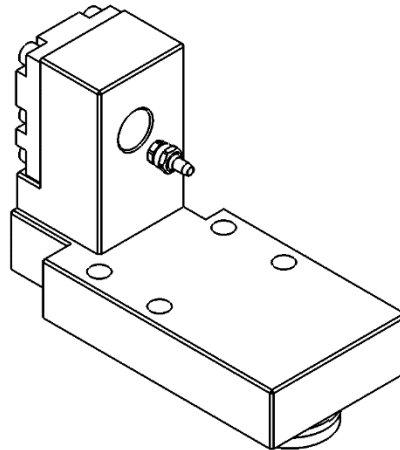
Type de travail: 

Attachement: Ø 16H7

Refroidissement externe / Refroidissement interne

Pression maximale :150[bar]

Infos:

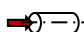
CDF101-160-HP

Machine: CITIZEN

Type: M220-III / M220-V / M232-III / M232-V / M320-III / M320-V / M332-III /
M332-V / M20-2M3 / M20-2M5 / M20-3M3 / M20-3M5 / M32-2M3 / M32-2M5 / M32-3M5 /
M32-4M5 / M32-4M8

Location, N°: Turret

Work on: Main spindle

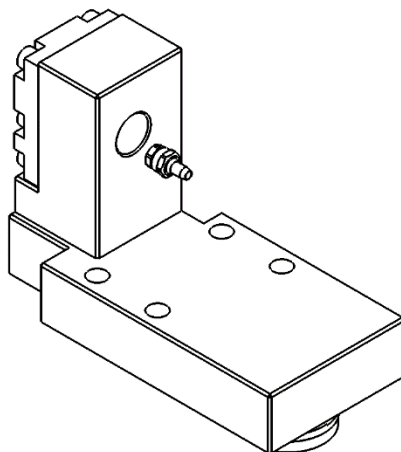
Type of work: 

Attachement: Ø 16H7

External coolant / Internal coolant

Maximum pressure: 150 [bar]

Infos:

CDF101-160-HP

Machine: CITIZEN

Typ: M220-III / M220-V / M232-III / M232-V / M320-III / M320-V / M332-III /
M332-V / M20-2M3 / M20-2M5 / M20-3M3 / M20-3M5 / M32-2M3 / M32-2M5 / M32-3M5 /
M32-4M5 / M32-4M8

Position, N°: Turret

Arbeit über: Hauptspindel

Arbeitstyp: 

Befestigung: Ø 16H7

Ausser Kühlmittel / Inner Kühlmittel

Maximaler Druck: 150 [bar]

Infos: