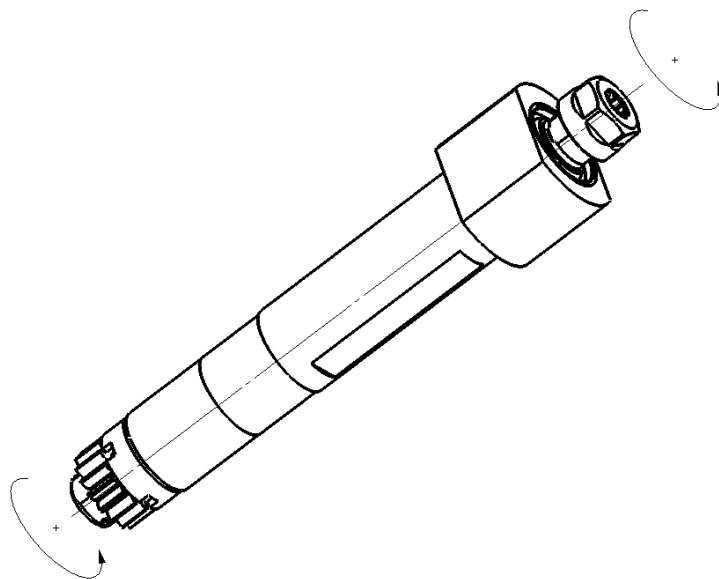
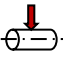
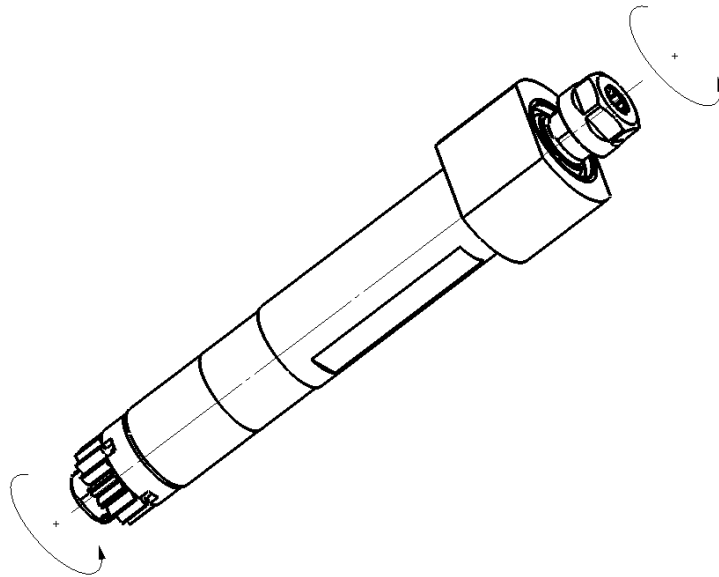
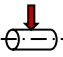
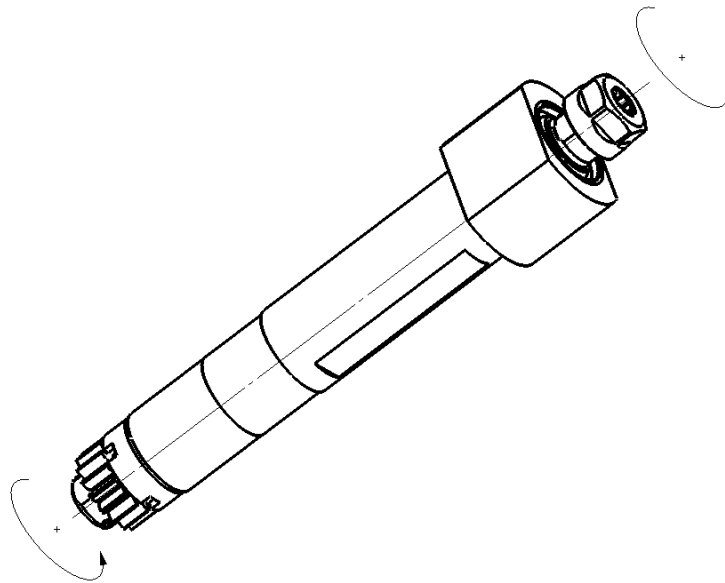


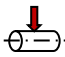
GSC-607

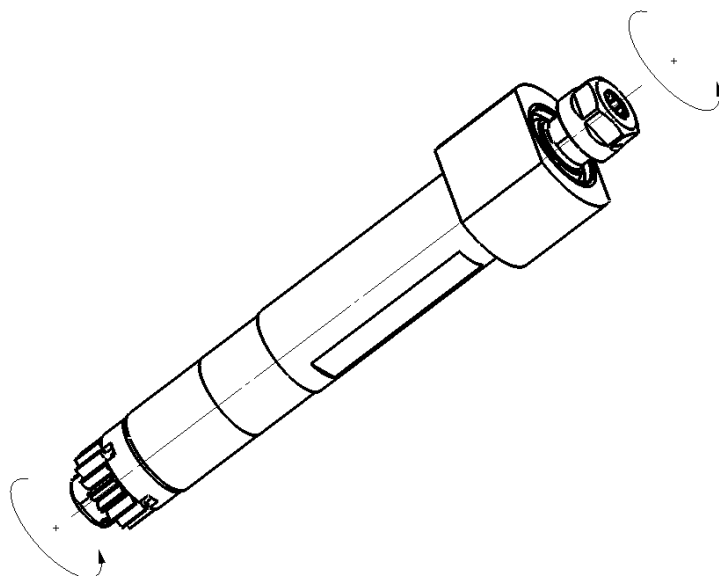
Machine: CITIZEN Cincom
Type: M212-C/M212-V/M216-C/M216-V
M312-III/M312-V/M316-/M316-V
Emplacement,: GANG TOOL POST
Travail sur: Broche principale
Type de travail: 
i (n_i / n₀): 1 / 1
Attachement: ER 11
Sans refroidissement
Infos:

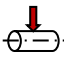
GSC-607

Machine: CITIZEN Cincom
Type: M212-C/M212-V/M216-C/M216-V
M312-III/M312-V/M316-/M316-V
Location, N°: GANG TOOL POST, T06-T09
Work on: Main spindle
Type of work: 
i (n_i / n₀): 1 / 1
Attachement: ER 11
Without coolant
Infos:

GSC-607

Maschine: CITIZEN Cincom
Typ: M212-C/M212-V/M216-C/M216-V
M312-III/M312-V/M316-/M316-V
Position, N°: GANG TOOL POST, T06-T09
Arbeit über: Hauptspindel
Arbeitstyp: 
i (n_i / n_o): 1 / 1
Befestigung: ER 11
Ohne Kühlmittel
Infos:

GSC-607

Macchina: CITIZEN Cincom
Tipo: M212-C/M212-V/M216-C/M216-V
M312-III/M312-V/M316-/M316-V
Posizione, N°: GANG TOOL POST, T06-T09
Lavoro al: Mandrino principale
Tipo di lavoro: 
i (n_i / n₀): 1 / 1
Ataccamento: ER 11
Senza refrigerante
Informazioni: