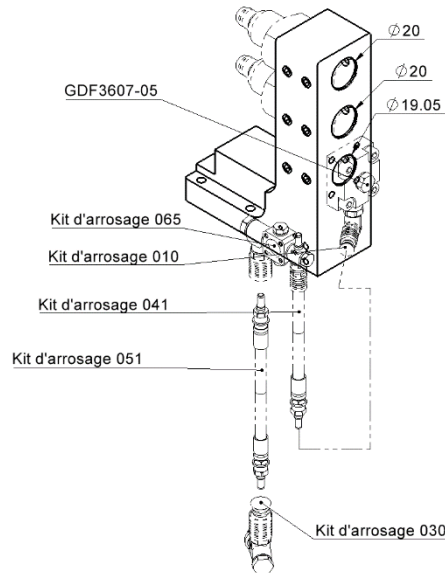


MDF107HF2

Machine: CITIZEN Cincom

Type: M416

Emplacement, N°: Back tool post

Travail sur: Broche principale

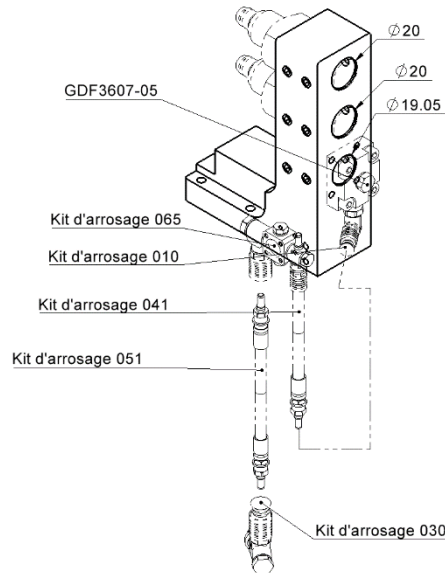
Type de travail: 

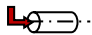
Attachement: 1x Ø19.05mm 2x Ø20

Refroidissement en option

Infos:

Compatible pour broches haute fréquence Meyrat Ø19.05 (modèle MHF-19 ER8) et broche haute fréquence Nakanishi Ø20 (modèle BM-320F)

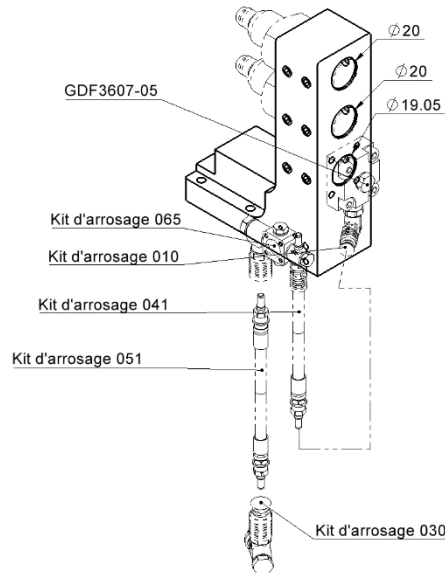
MDF107HF2

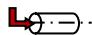
Machine: CITIZEN Cincom
Type: M416
Location, N°: Back tool post
Work on: Main spindle
Type of work: 
Attachement: 1x Ø19.05mm 2x Ø20

Optional coolant

Infos:

Compatible with Meyrat Ø19.05 high frequency spindles (model MHF-19 ER8) and Nakanishi Ø20 high frequency spindles (model BM-320F)

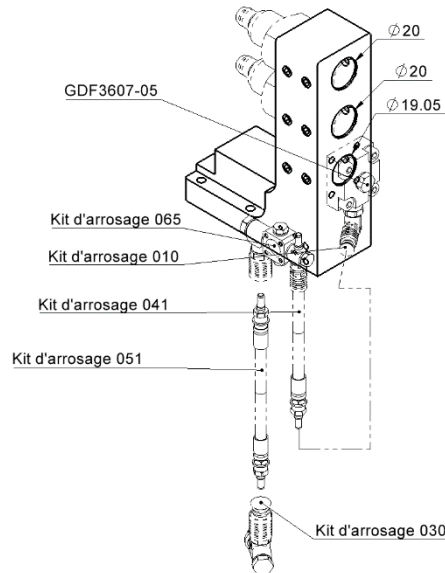
MDF107HF2

Maschine: CITIZEN Cincom
Typ: M416
Position, N°: Back tool post
Arbeit über: Hauptspindel
Arbeitstyp: 
Befestigung: 1x Ø19.05mm 2x Ø20

Optional Kühlmittel

Infos:

Kompatibel mit Hochfrequenzspindeln Meyrat Ø19.05 (Modell MHF-19 ER8) und Hochfrequenzspindel Nakanishi Ø20 (Modell BM-320F).

MDF107HF2

Macchina: CITIZEN Cincom
Tipo: M416
Posizione, N°: Back tool post
Lavoro al: Mandrino principale
Tipo di lavoro: 
Ataccamento: 1x Ø19.05mm 2x Ø20
opzionale refrigerante

Informazioni:

Compatibile con i mandrini ad alta frequenza Meyrat Ø19,05 (modello MHF-19 ER8) e con i mandrini ad alta frequenza Nakanishi Ø20 (modello BM-320F)