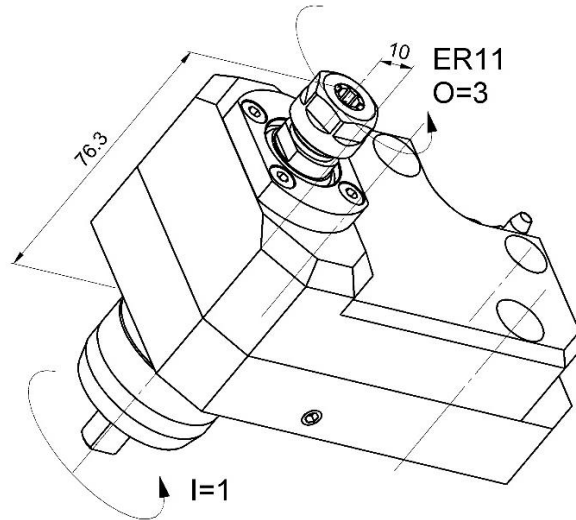
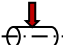
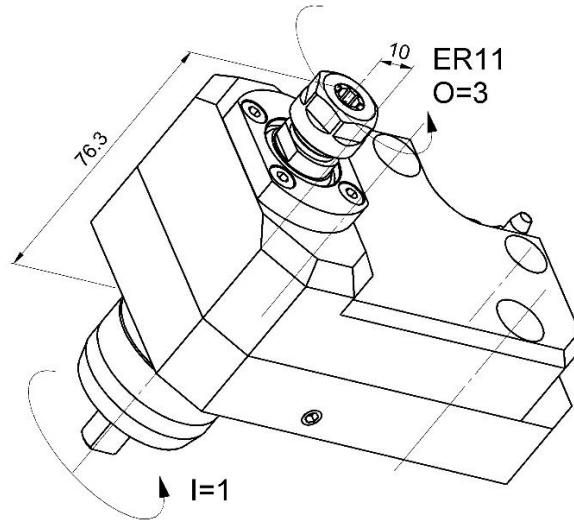
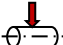
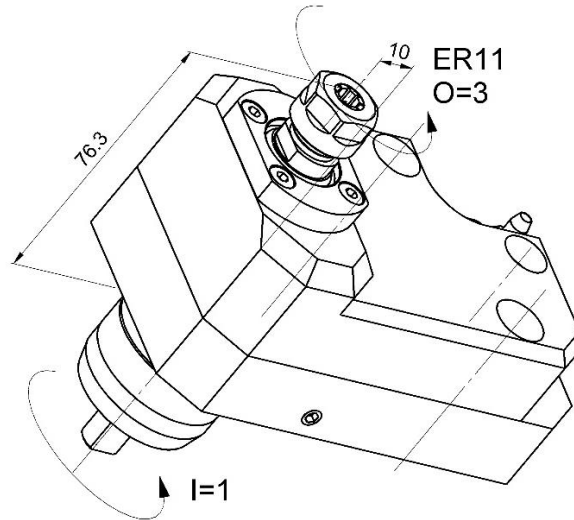


KSC-DEC-10x3-V

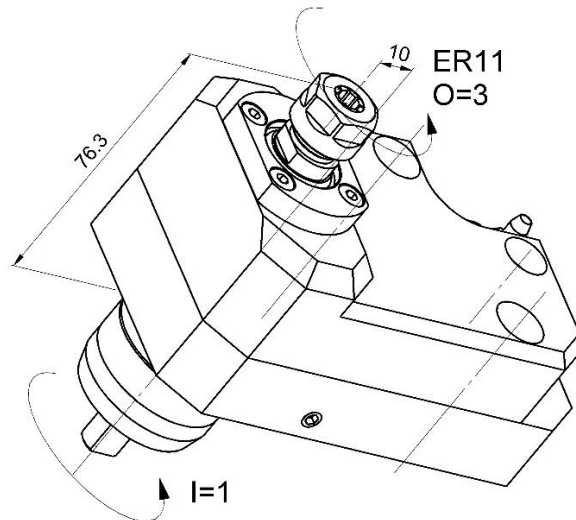
Machine: CITIZEN Cincom
Type: M532
Emplacement, N°: Tourelle
Travail sur: Broche principale / Broche de reprise
Type de travail: 
 n_{max} : 6'000 [rpm]
 i (n_i / n_o): 1 / 3.012
Attachement: ER 11
Refroidissement externe
Infos :

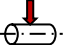
KSC-DEC-10x3-V

Machine: CITIZEN Cincom
Type: M532
Location, N°: Turret
Work on: Main spindle / Back spindle
Type of work: 
 n_{max} : 6'000 [rpm]
 $i (n_i / n_o)$: 1 / 3.012
Attachement: ER 11
External coolant
Infos :

KSC-DEC-10x3-V

Maschine: CITIZEN Cincom
Typ: M532
Position, N°: Revolver
Arbeit über: Hauptspindel / Abgreifspindel
Arbeitstyp: 
 n_{max} : 6'000 [rpm]
 i (n_i / n_o): 1 / 3.012
Befestigung: ER 11
Ausser Kühlmittel
Infos:

KSC-DEC-10x3-V

Macchina: CITIZEN Cincom
Tipo: M532
Posizione, N°: Toretta
Lavoro al: Mandrino principale / Contromandrino
Tipo di lavoro: 
 n_{max} : 6'000 [rpm]
 i (n_i / n_o): 1 / 1
Ataccamento: ER 11
Refrigerante esterno
Informazioni: