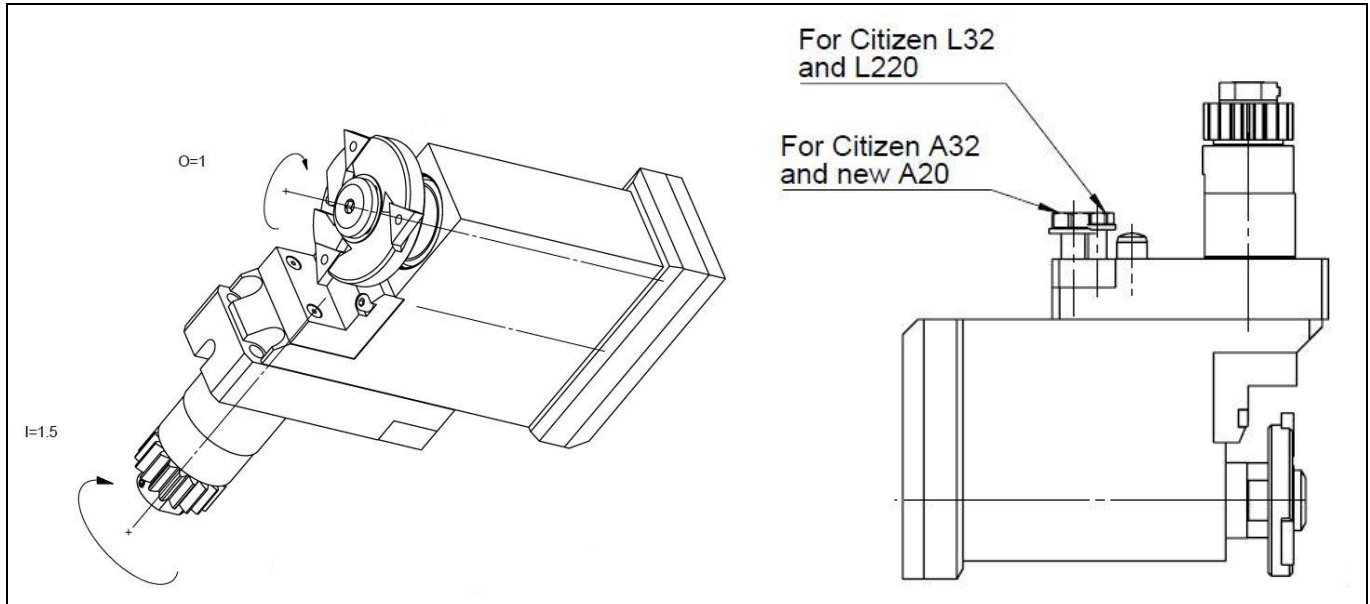
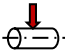


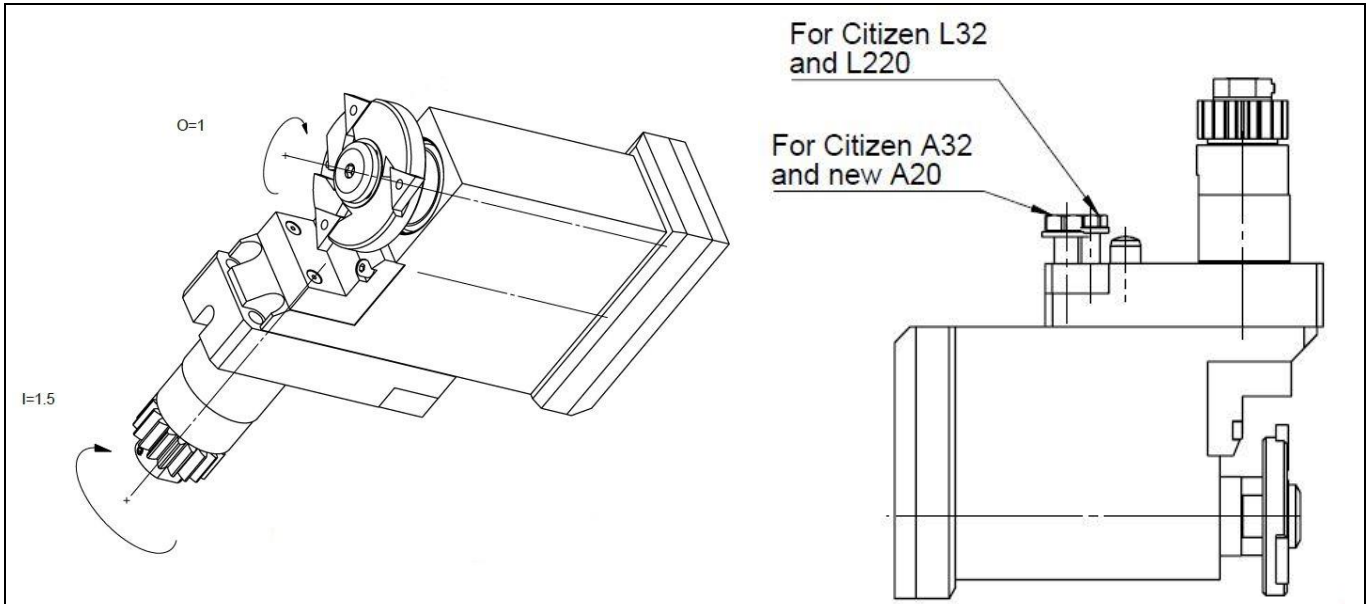
**BSP513**

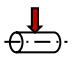
Machine: CITIZEN  
Type: A20, A32, L220, L32  
Emplacement, N°: Coulisse linéaire  
Travail sur: Broche principale  
Type de travail:   
n<sub>max</sub>: 8'000 [rpm]  
i (n<sub>i</sub> / n<sub>o</sub>): 1,5 / 1  
Attachement: Arbre Ø 13

Sans refroidissement

Infos:

- Polygoneur pour polygonage
- Fraise disque utilisée,  $\varnothing_{\max}=72\text{mm}$ , Largeur= L = 8.3 mm

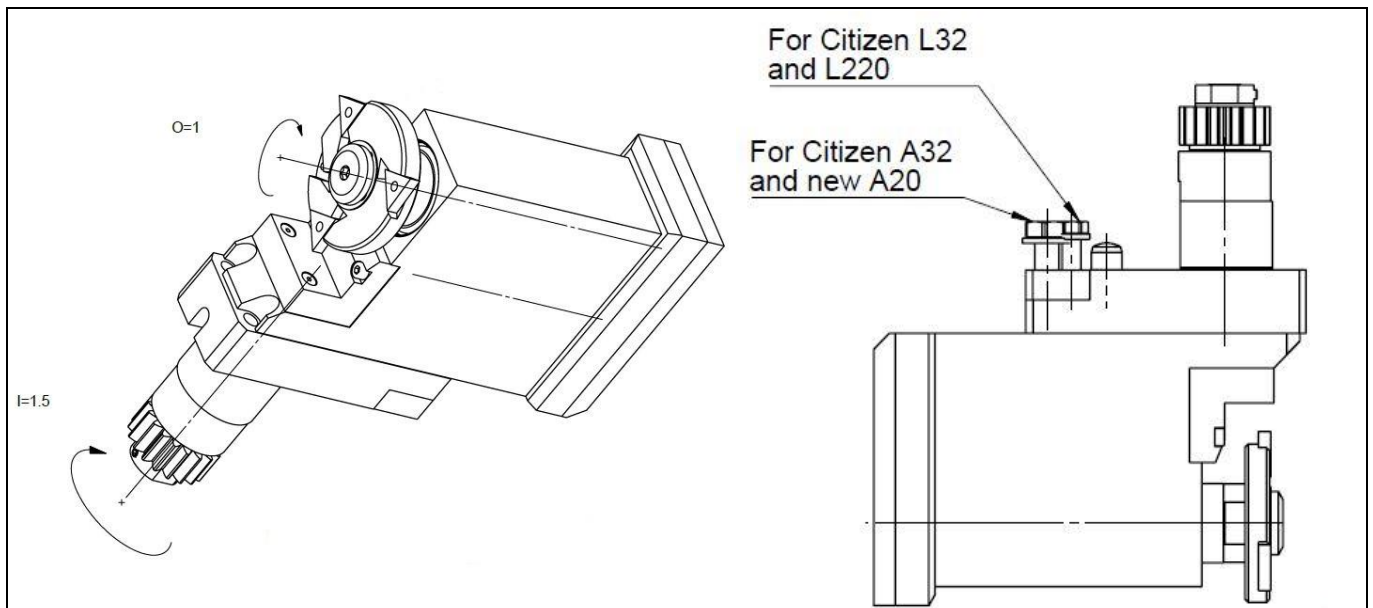
**BSP513**

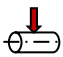
Machine: CITIZEN  
Type: A20, A32, L220, L32  
Location, N°: Gangtool,  
Work on: Main spindle  
Type of work:   
n<sub>max</sub>: 8'000 [rpm]  
i (n<sub>i</sub> / n<sub>o</sub>): 1.5 / 1  
Attachement: Shaft Ø 13

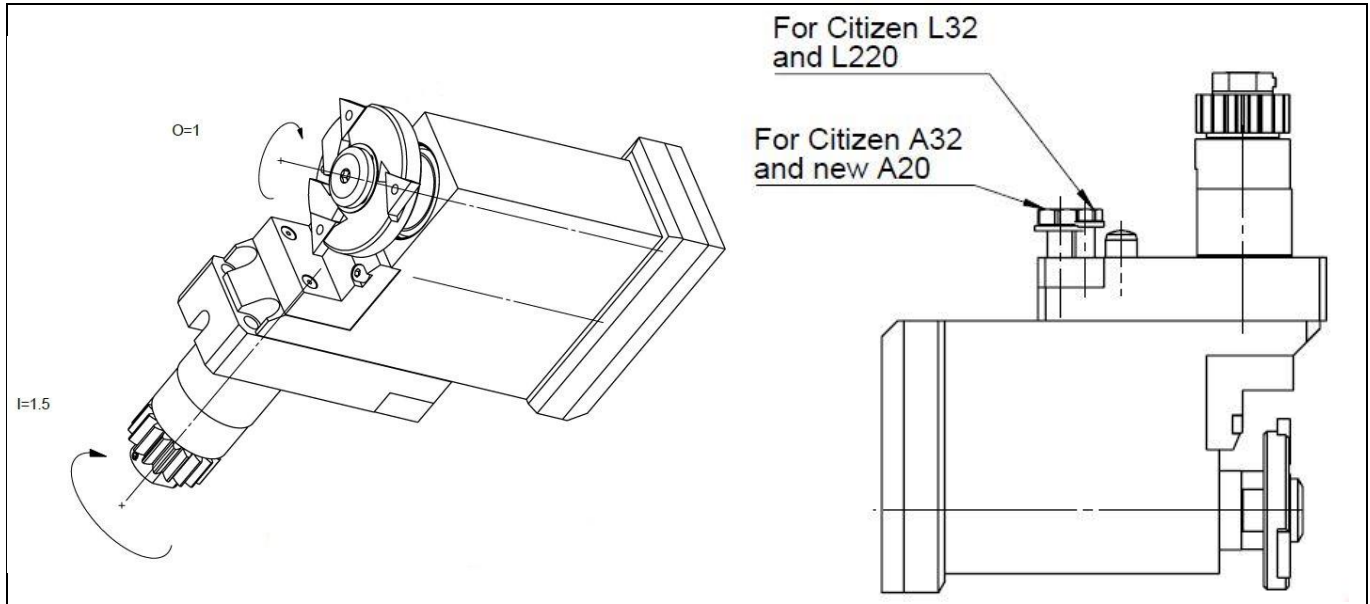
Without coolant

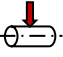
Infos:

- Driven toolholder for polygon milling
- Milling cutters, Ø<sub>max</sub>=72mm, Width= L = 8.3 mm

**BSP513**

Maschine:	CITIZEN
Typ:	A20,A32, L220, L32
Position, N°:	Vertikalhalter,
Arbeit über:	Hauptspindel
Arbeitstyp:	
$n_{max}$ :	8'000 [rpm]
$i (n_i / n_o)$ :	1,5 / 1
Befestigung:	Welle Ø 13
Ohne Kühlmittel	
Infos:	
	<ul style="list-style-type: none"><li>Angetriebener Fräserhalter für Vieleck</li><li>Polygonfräser, <math>\varnothing_{max}=72\text{mm}</math>, Breite = L = 8.3 mm</li></ul>

**BSP513**

Macchina: CITIZEN  
Tipo: A20, A32, L220, L32  
Posizione, N°: Slitta lineare,  
Lavoro al: Mandrino principale  
Tipo di lavoro:   
n<sub>max</sub>: 8'000 [rpm]  
i (n<sub>i</sub> / n<sub>o</sub>): 1,5 / 1  
Ataccamento: Albero Ø 13

Senza refrigerante

Informazioni:

- Porta-autensile per poligono
- Poligono fresatura,  $\varnothing_{\max}=72\text{mm}$ , Larghezza = L = 8.3 mm