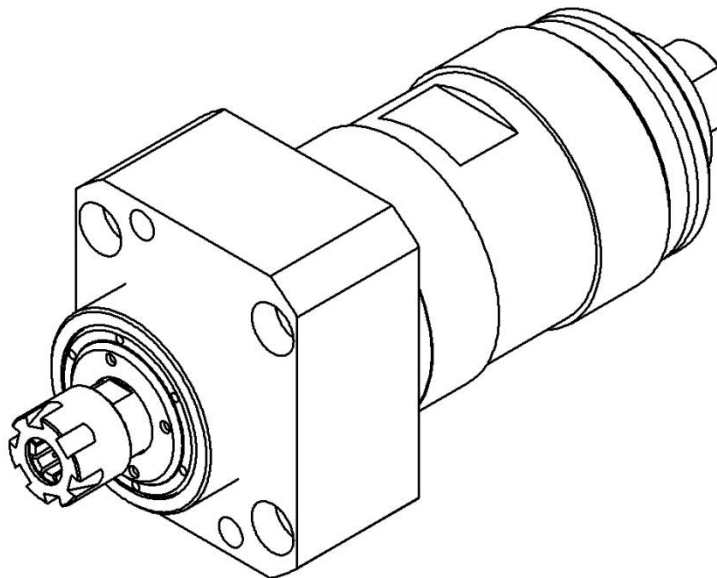
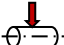
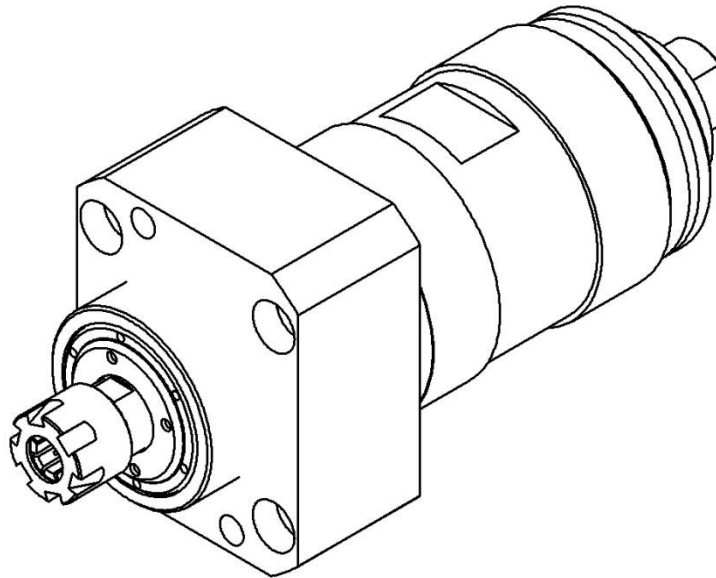
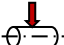
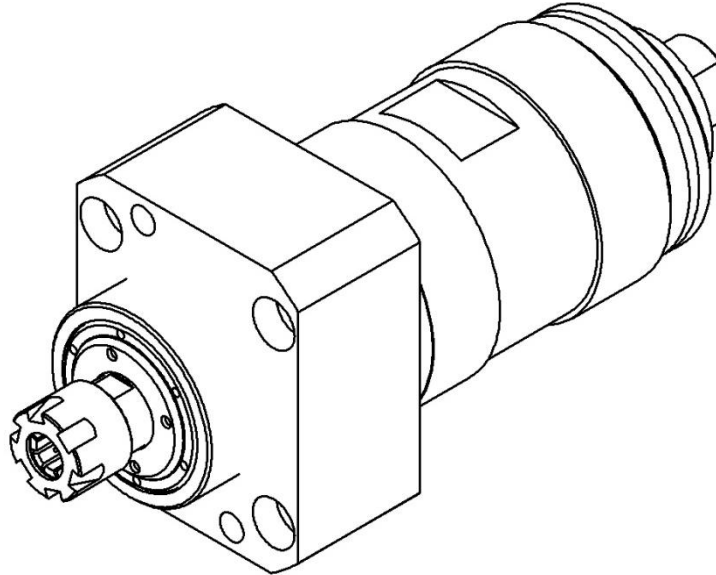


BO26-GSC-105-4X

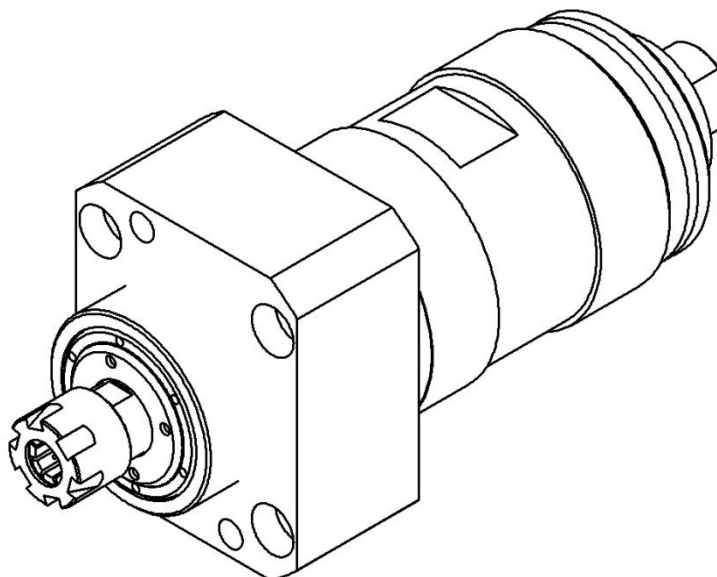
Machine: Tsugami
Type: BO26, BO32, BO38
Emplacement, N°: Back gang tool post
Travail sur: Broche principale
Type de travail: 
n_{max}: 22'800 [rpm]
i (n_i / n_o): 1 / 3.8
Attachement: ER 08
Sans refroidissement
Infos:
Couple max : 0.2 Nm

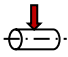
BO26-GSC-105-4X

Machine: Tsugami
Type: BO26, BO32, BO38
Location, N°: Back gang tool post
Work on: Main spindle
Type of work: 
n_{max}: 22'800 [rpm]
i (n_i / n_o): 1 / 3.8
Attachement: ER 08
Without coolant
Infos:
Torque max: 0.2 Nm

BO26-GSC-105-4X

Maschine: Tsugami
Typ: BO26, BO32, BO38
Position, N°: Back gang tool post
Arbeit über: Hauptspindel
Arbeitstyp: 
n_{max}: 22'800 [rpm]
i (n_i / n_o): 1 / 3.8
Befestigung: ER 08
Ohne Kühlmittel
Infos:
Max. Drehmoment: 0.2 Nm

BO26-GSC-105-4X

Macchina: Tsugami
Tipo: BO26, BO32, BO38
Posizione, N°: Back gang tool post
Lavoro al: Mandrino principale
Tipo di lavoro: 
n_{max}: 22'800 [rpm]
i (n_i / n_o): 1 / 3.8
Atacco: ER 08
Senza refrigerante
Informazioni:
Coppia max: 0,2 Nm