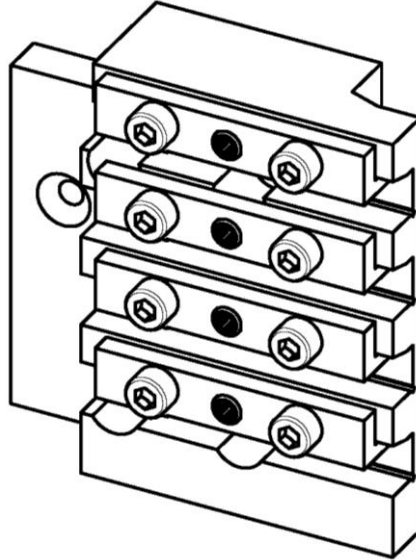
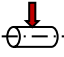
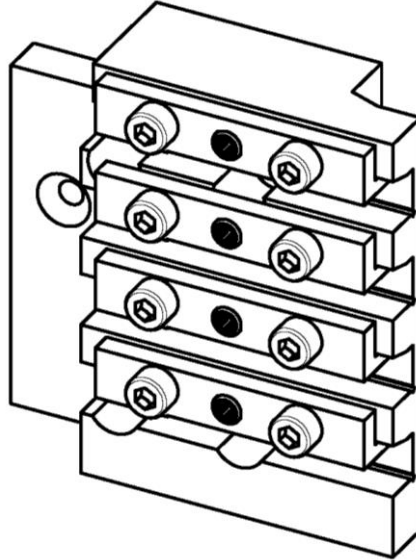
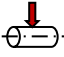
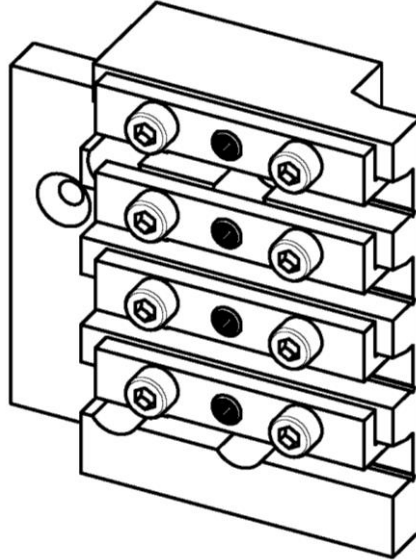


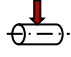
**0400-TF080-R00000-4S01**

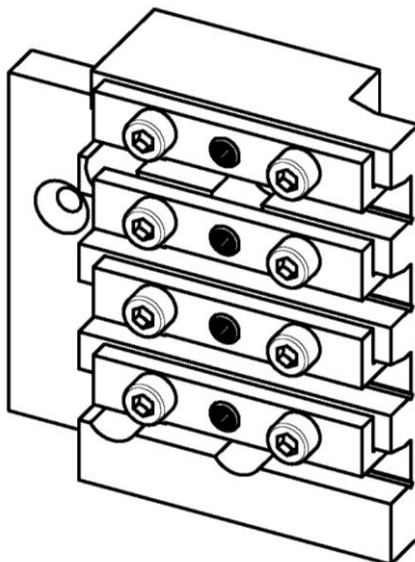
Machine: TSUGAMI  
Type: BO126 III / BO206 III  
Emplacement, N°: Coulisse linéaire / T05 - T07  
Travail sur: Broche principale  
Type de travail:   
n<sub>max</sub>: -  
i (n<sub>i</sub> / n<sub>0</sub>): -  
Attachement: 4x □8  
Sans refroidissement  
Infos:

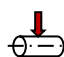
**0400-TF080-R00000-4S01**

Machine: TSUGAMI  
Type: BO126 III / BO206 III  
Location, N°: Gangtool / T05 - T07  
Work on: Main spindle  
Type of work:   
n<sub>max</sub>: -  
i (n<sub>i</sub> / n<sub>0</sub>): -  
Attachement: 4x □8  
Without coolant  
Infos:

**0400-TF080-R00000-4S01**

Maschine: TSUGAMI  
Typ: BO126 III / BO206 III  
Position, N°: Vertikalhalter T05 - T07  
Arbeit über: Hauptspindel  
Arbeitstyp:   
n<sub>max</sub>: -  
i (n<sub>i</sub> / n<sub>0</sub>): -  
Befestigung: 4x □8  
Ohne Kühlmittel  
Infos:

**0400-TF080-R00000-4S01**

Macchina: TSUGAMI  
Tipo: BO126 III / BO206 III  
Posizione, N°: Slitta lineare / T05 - T07  
Lavoro al: Mandrino principale  
Tipo di lavoro:   
n<sub>max</sub>: -  
i (n<sub>i</sub> / n<sub>0</sub>): -  
Ataccamento: 4x □8  
Senza refrigerante  
Informazioni: