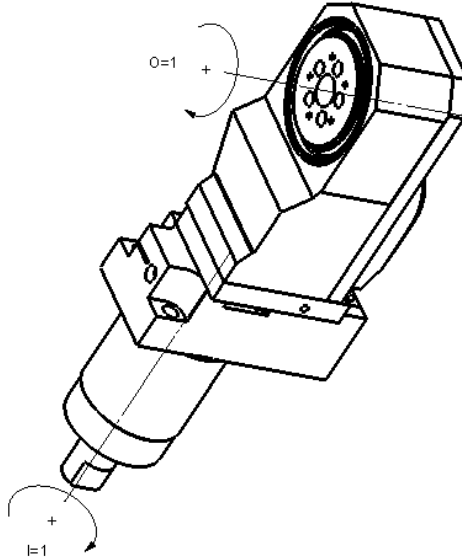


TSUGAMI1-GSW220-II

Machine: TSUGAMI

Type: BO7, BO26, BO32, BO385, S205, S206

Emplacement, N°: Coulisse linéaire

Travail sur: Broche principale

Type de travail: n_{max}: 8000 [rpm]i (n_i / n_o): 1 / 1

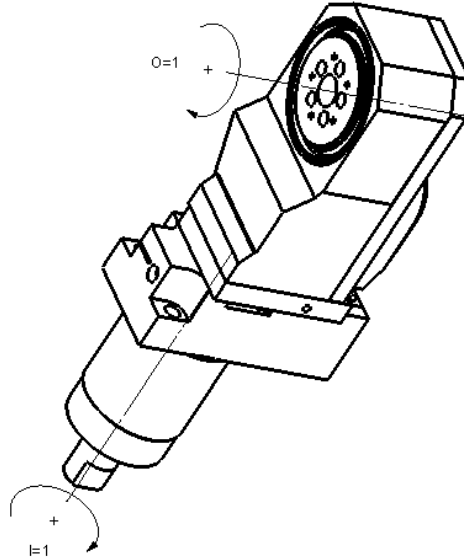
Attachement: Autre

Sans refroidissement

Infos:

Tête à tourbillonner $\alpha: 20^\circ$ interchangeable (GSW220-II) monté sur la queue TSUGAMI1-PCR.

Bloque les positions T14/T17 sur BO26/32 et T12 sur S205/206.


TSUGAMI1-GSW220-II

Machine: TSUGAMI

Type: BO7, BO26, BO32, BO385, S205, S206

Location, N°: Gangtool

Work on: Main spindle

Type of work: n_{max}: 8000 [rpm]i (n_i / n_o): 1 / 1

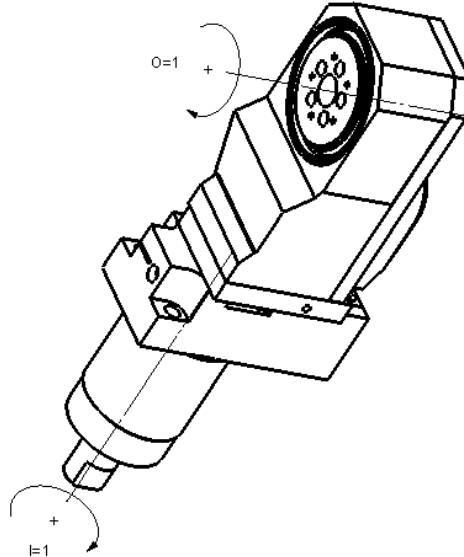
Attachement: Other

Without coolant

Infos:

Whirling head $\alpha:20^\circ$ exchangeable (GSW220-II) mounted on the shank TSUGAMI1-PCR.

Position T14/T17 are blocked on BO26/32 and T12 on S205/206.

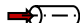
TSUGAMI1-GSW220-II

Machine: TSUGAMI

Typ: BO7, BO26, BO32, BO385, S205, S206

Position, N°: Vertikalhalter

Arbeit über: Hauptspindel

Arbeitstyp: n_{max}: 8000 [rpm]i (n_i / n_o): 1 / 1

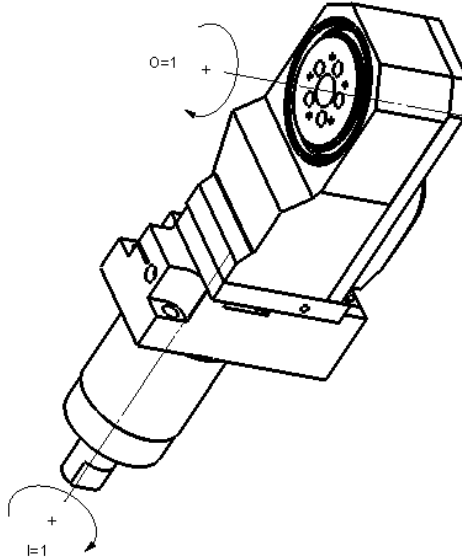
Befestigung: Andere

Ohne Kühlmittel

Infos:

Gewindewirbelkopf $\alpha:20^\circ$ austauschbar (GSW220-II) der auf den Schaft TSUGAMI1-PCR gehoben ist.

Die Positionen T14/T17 an BO26/32 und T12 an S205/206 sind gesperrt.

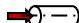
TSUGAMI1-GSW220-II

Macchina: TSUGAMI

Tipo: BO7, BO26, BO32, BO385, S205, S206

Posizione, N°: Slitta lineare

Lavoro al: Mandrino principale

Tipo di lavoro: n_{max}: 8000 [rpm]i (n_i / n_o): 1 / 1

Ataccamento: Altro

Senza refrigerante

Informazioni:

Testa a turbinare α:20° intercambiabile (GSW220-II) salita sulla coda TSUGAMI1-PCR.

Le posizioni T14/T17 sono bloccate su BO26/32 e T12 su S205/206.