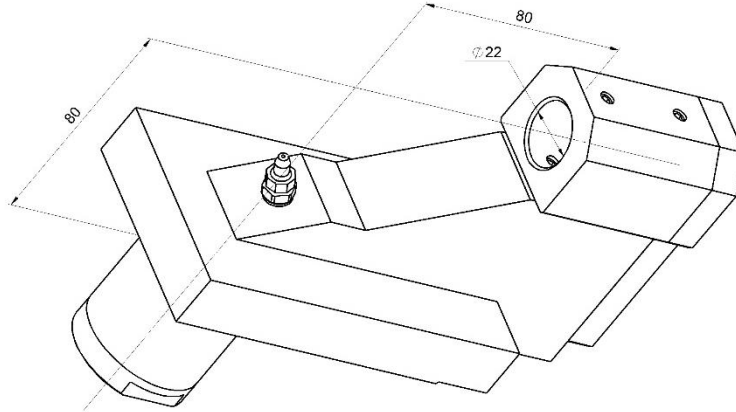


0200-DF220-000H0-1S01

Machine: Star Micronics

Type: ST20/ Ecas20T/ SV20R

Emplacement, N°: Tourelle

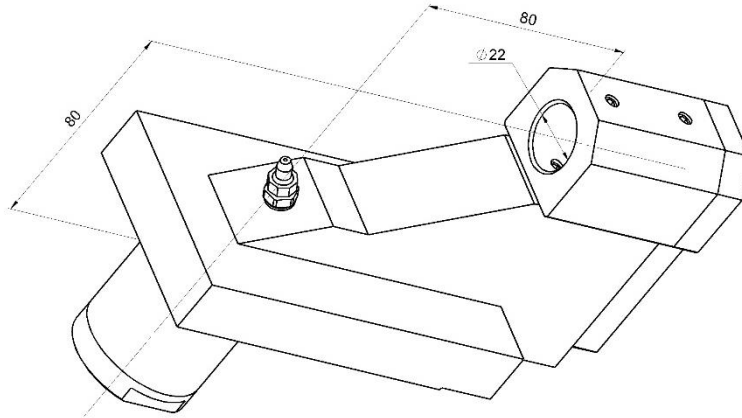
Travail sur: Broche principale / Broche de reprise

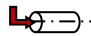
Type de travail: n_{max}: - [rpm]i (n_i / n_o): - / -

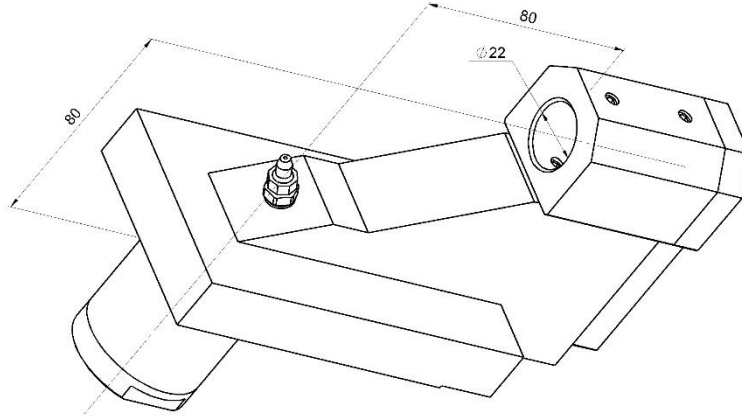
Attachement: Ø 22 mm

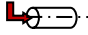
Refroidissement externe / Refroidissement interne Pression maximale: 120 [bar]

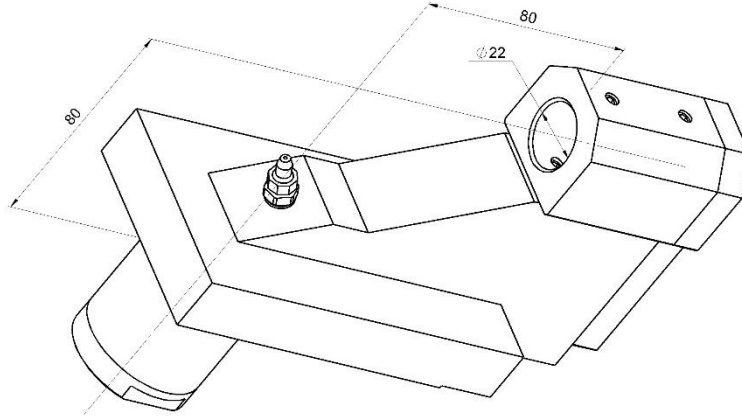
Infos:

0200-DF220-000H0-1S01

Machine:	Star Micronics	
Type:	ST20/ Ecas20T/ SV20R	
Location, N°:	Turret	
Work on:	Main spindle / Back spindle	
Type of work:		
n _{max} :	- [rpm]	
i (n _i / n _o):	- / -	
Attachement:	Ø 22 mm	
External coolant / Internal coolant	Maximum pressure: 120 [bar]	
Infos:		

0200-DF220-000H0-1S01

Maschine: Star Micronics
Typ: ST20/ Ecas20T/ SV20R
Position, N°: Revolver
Arbeit über: Hauptspindel / Abgreifspindel
Arbeitstyp: 
n_{max}: - [rpm]
i (n_i / n_o): - / -
Befestigung: Ø 22 mm
Ausser Kühlmittel / Inner Kühlmittel Maximaler Druck:120 [bar]
Infos:

0200-DF220-000H0-1S01

Macchina: Star Micronics

Tipo: ST20/ Ecas20T/ SV20R

Posizione, N°: Toretta

Lavoro al: Mandrino principale / Contromandrino

Tipo di lavoro: n_{max}: - [rpm]i (n_i / n_o): - / -

Ataccamento: Ø 22 mm

Refrigerante esterno / Refrigerante interno Pressione massima: 120 [bar]

Informazioni: