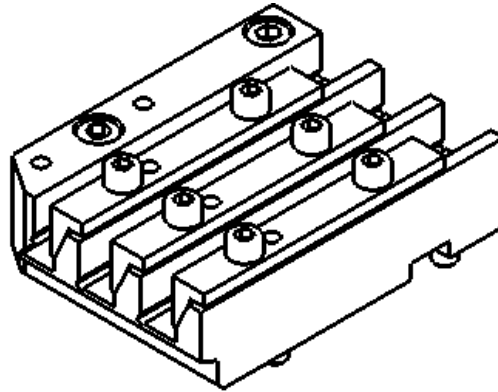


0200-TF100-A00000-3S01

Machine: STAR MICRONICS

Type: SW12

Emplacement, N°: T1600-T1900

Travail sur: Broche principale

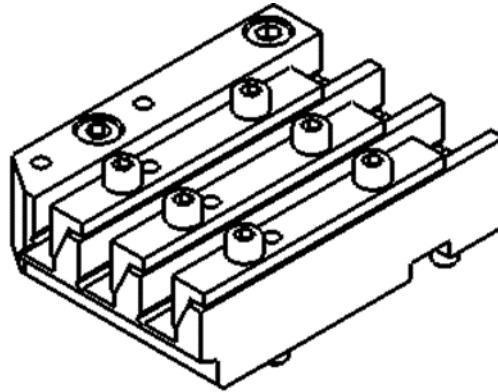
Type de travail: n_{max}: - [rpm]i (n_i / n_o): 1 / 1

Attachement: □10

Sans refroidissement

Infos:

- Emplacement 0200-HF220-R00000-3S01

0200-TF100-A00000-3S01

Machine: STAR MICRONICS

Type: SW12

Location, N°: T1600-T1900

Work on: Main spindle

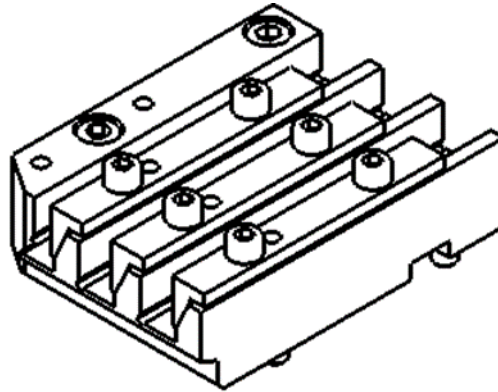
Type of work: n_{max}: - [rpm]i (n_i / n_o): 1 / 1

Attachement: □10

Without coolant

Infos:

- Position 0200-HF220-R00000-3S01

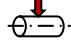
0200-TF100-A00000-3S01

Machine: CITIZEN Cincom

Typ: SW12

Position, N°: T1600-T1900

Arbeit über: Hauptspindel

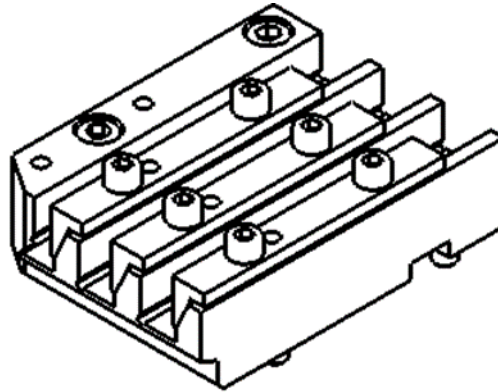
Arbeitstyp: n_{max}: - [rpm]i (n_i / n_o): 1 / 1

Befestigung: □10

Ohne Kühlmittel

Infos:

- Stellung 0200-HF220-R00000-3S01

0200-TF100-A00000-3S01

Macchina: CITIZEN Cincom
Tipo: SW12
Posizione, N°: T1600-T1900
Lavoro al: Mandrino principale
Tipo di lavoro: 
n_{max}: - [rpm]
i (n_i / n_o): 1 / 1
Ataccamento: □10

Senza refrigerante

Informazioni:

- Posizione 0200-HF220-R00000-3S01