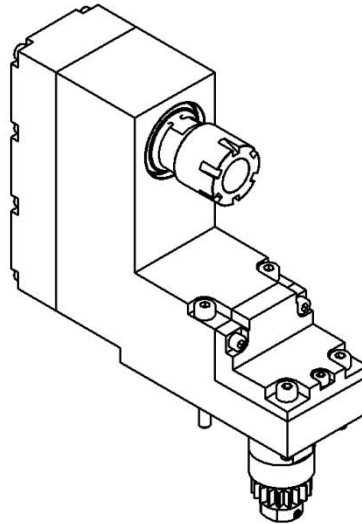


0200-SC016-R00000-1S01

Machine: Star

Type: SR-20R-II, SR-20J, SR-32J, SR-38, SW-12R, SW-20R

Emplacement, N°: Coulisse linéaire, T2100 / T2200 / T2300 / T2400

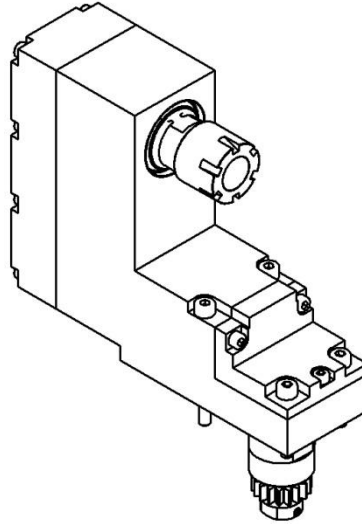
Travail sur: Broche de reprise

Type de travail:  n_{\max} : 6'000 [rpm] $i (n_i / n_o)$: 1 / 1

Attachement: ER 16

Sans refroidissement

Infos:


0200-SC016-R00000-1S01

Machine: Star

Type: SR-20R-II, SR-20J, SR-32J, SR-38, SW-12R, SW-20R

Location, N°: Gangtool, T2100 / T2200 / T2300 / T2400

Work on: Back spindle

Type of work: 

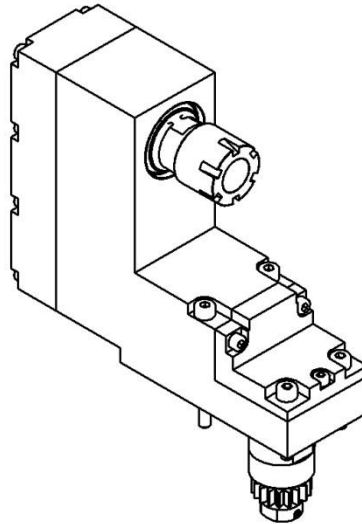
n_{max} : 6'000 [rpm]


$i (n_i / n_o)$: 1 / 1

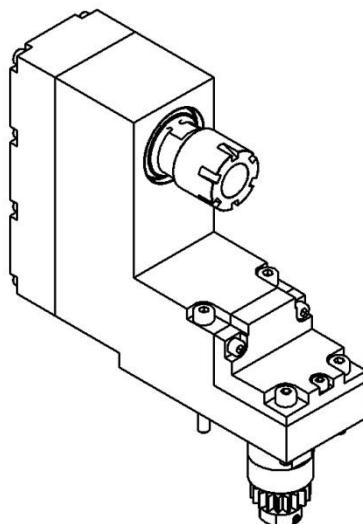
Attachement: ER 16

Without coolant

Infos:

0200-SC016-R00000-1S01

Maschine: Star
Typ: SR-20R-II, SR-20J, SR-32J, SR-38, SW-12R, SW-20R
Position, N°: Vertikalhalter, T2100 / T2200 / T2300 / T2400
Arbeit über: Abgreifspindel
Arbeitstyp: 
 n_{\max} : 6'000 [rpm]
 $i (n_i / n_o)$: 1 / 1
Befestigung: ER 16
Ohne Kühlmittel
Infos:

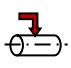
0200-SC016-R00000-1S01

Macchina: Star

Tipo: SR-20R-II, SR-20J, SR-32J, SR-38, SW-12R, SW-20R

Posizione, N°: Slitta lineare, T2100 / T2200 / T2300 / T2400

Lavoro al: Contromandrino

Tipo di lavoro: 

n_{max} : 6'000 [rpm]

$i (n_i / n_o)$: 1 / 1

Ataccamento: ER 16

Senza refrigerante

Informazioni: