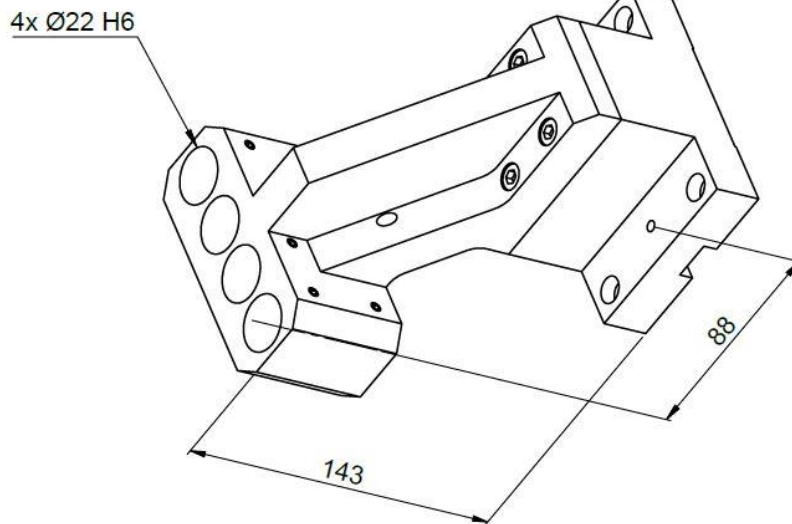


SR20R-GDF-422

Machine: STAR Micronics

Type: SR20RII

Emplacement, N°: Coulisse linéaire, T1100 T1200 T1300 T1400

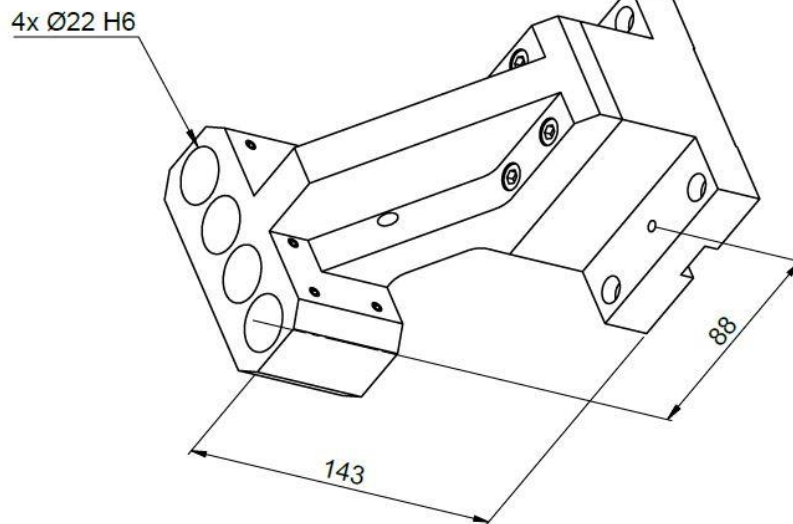
Travail sur: Broche principale / Broche de reprise

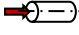
Type de travail: n_{max}: - [rpm]i (n_i / n_o): -

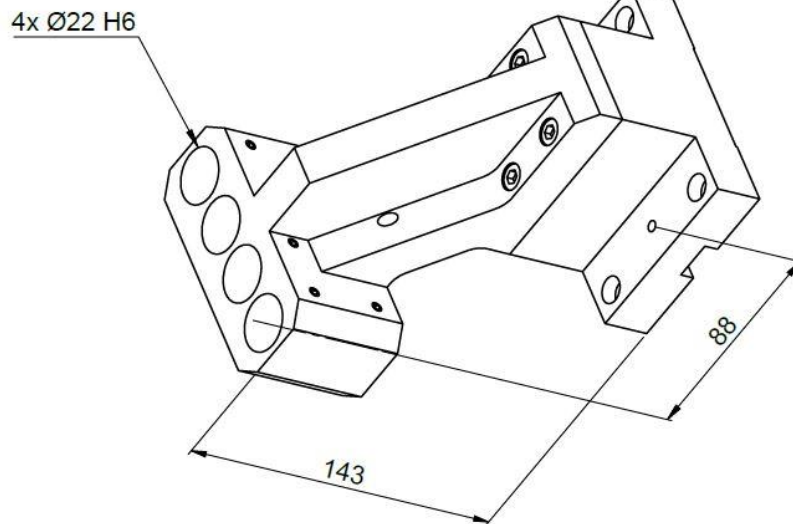
Attachement: 4x Ø22 H6

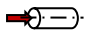
Infos:

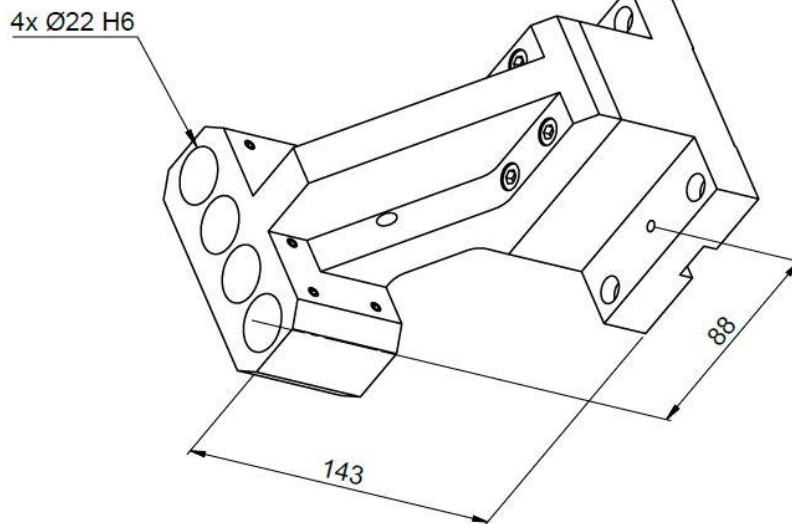
Support pour outils non-entraînés

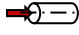
SR20R-GDF-422

Machine:	STAR Micronics
Type:	SR20RII
Location, N°:	Gangtool, T1100 T1200 T1300 T1400
Work on:	Main spindle / Back spindle
Type of work:	
n_{max} :	- [rpm]
$i (n_i / n_o)$:	-
Attachment:	4x Ø22 H6
Infos:	
Fourfold boring bar holder	

SR20R-GDF-422

Maschine:	STAR Micronics
Typ:	SR20RII
Position, N°:	Vertikalhalter, T1100 T1200 T1300 T1400
Arbeit über:	Hauptspindel / Abgreifspindel
Arbeitstyp:	
n_{max} :	- [rpm]
$i (n_i / n_o)$:	-
Befestigung:	4x Ø22 H6
Infos:	
Vierfach Bohrstangenaufnahme	

SR20R-GDF-422

Macchina: STAR Micronics
Tipo: SR20RII
Posizione, N°: Slitta lineare, T1100 T1200 T1300 T1400
Lavoro al: Mandrino principale / Contromandrino
Tipo di lavoro: 
n_{max}: - [rpm]
i (n_i / n_o): -
Atacco: 4x Ø22 H6
Informazioni:
Portaustensili fissi