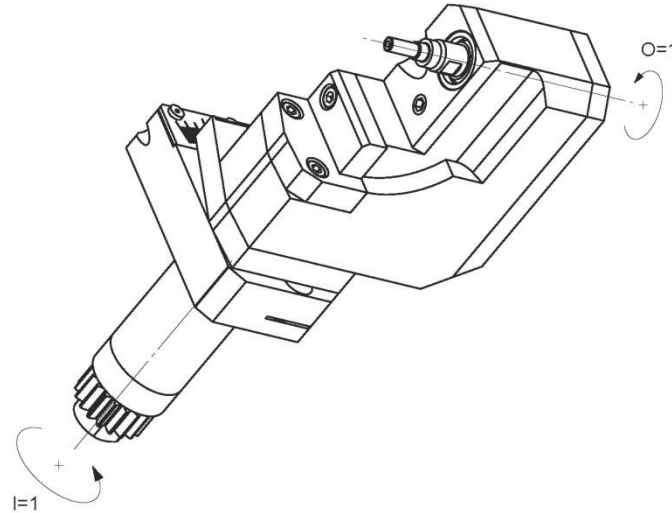


SW12-GSH-045

Machine: STAR MICRONICS

Type: SW-12R11

Emplacement, N°: Coulisse linéaire / T900

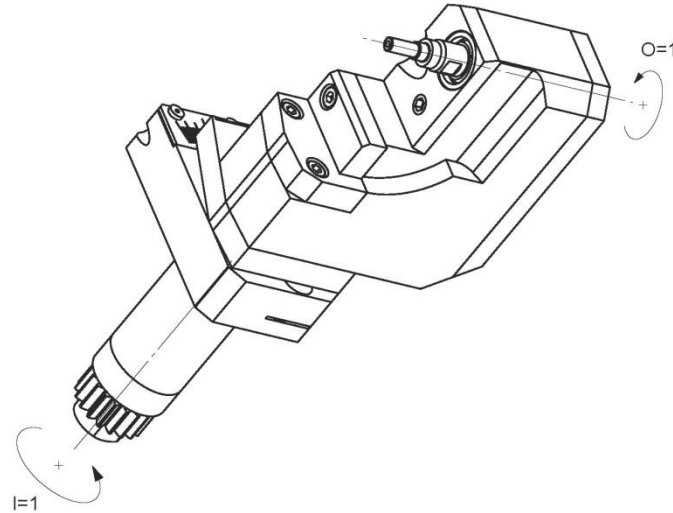
Travail sur: Broche principale

Type de travail:  n_{\max} : - [rpm] i (n_i / n_o): 1 / 1

Attachement: Arbre Ø4.5/3.5mm

Sans refroidissement

Infos: Tête de taillage interchangeable (GSH-045, +15°/-3°) montée sur queue STAR1-PCR.

SW12-GSH-045

Machine: STAR MICRONICS

Type: SW-12R11

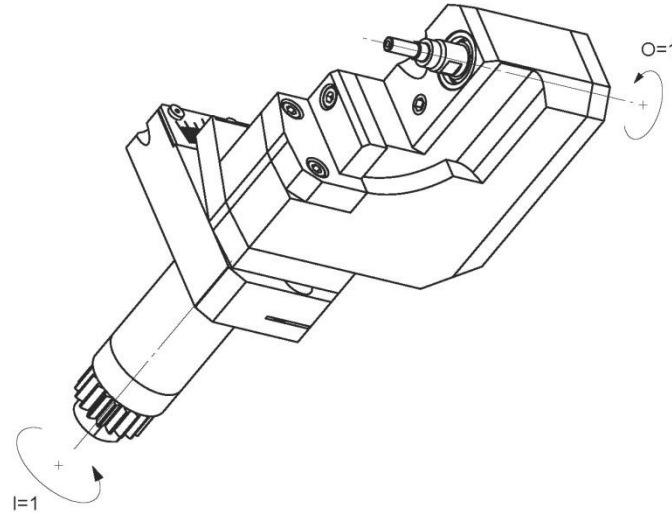
Location, N°: Gangtool / T900

Work on: Main spindle

Type of work:  n_{\max} : - [rpm]i (n_i / n_o): 1 / 1Attachement: Shaft $\varnothing 4.5/3.5$ mm

Without coolant

Infos: Interchangeable hobbing head (GSH-045, $+15^\circ/-3^\circ$) mounted on shank STAR1-PCR.

SW12-GSH-045

Machine: STAR MICRONICS

Typ: SW-12R11

Position, N°: Vertikalhalter / T900

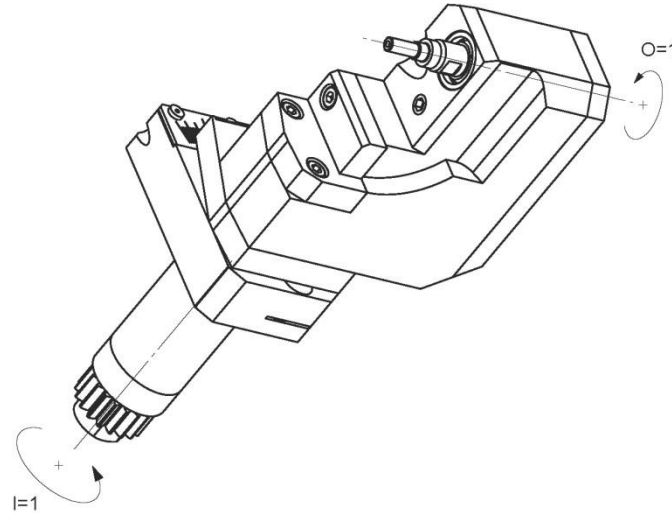
Arbeit über: Hauptspindel

Arbeitstyp:

 n_{max} : - [rpm]i (n_i / n_o): 1 / 1Befestigung: Schaft $\varnothing 4.5/3.5$ mm

Ohne Kühlmittel

Infos: Austauschbar Abwälzfräserhalter (GSH-045, $+15^\circ/-3^\circ$) auf Schaft STAR1-PCR fixiert.

SW12-GSH-045

Macchina: STAR MICRONICS

Tipo: SW-12RII

Posizione, N°: Slitta lineare / T900

Lavoro al: Mandrino principale

Tipo di lavoro:  n_{max} : - [rpm]i (n_i / n_o): 1 / 1Ataccamento: Codolo $\varnothing 4.5/3.5$ mm

Senza refrigerante

Informazioni: Testa a tagliare intercambiabile (GSH-045, $+15^\circ/-3^\circ$) salita sulla coda STAR1-PCR.