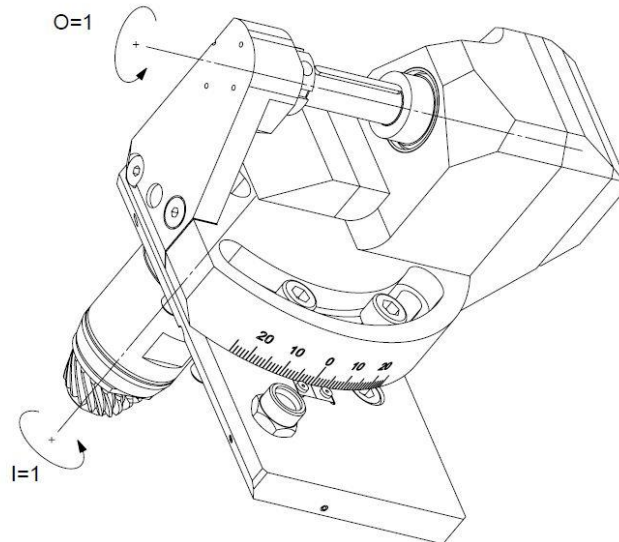


KSH132-25

Machine: CITIZEN Cincom

Type: M432

Emplacement, N°: Tourelle

Travail sur: Broche principale

Type de travail:  n_{\max} : 6'000 [rpm] i (n_i / n_o): 1 / 1

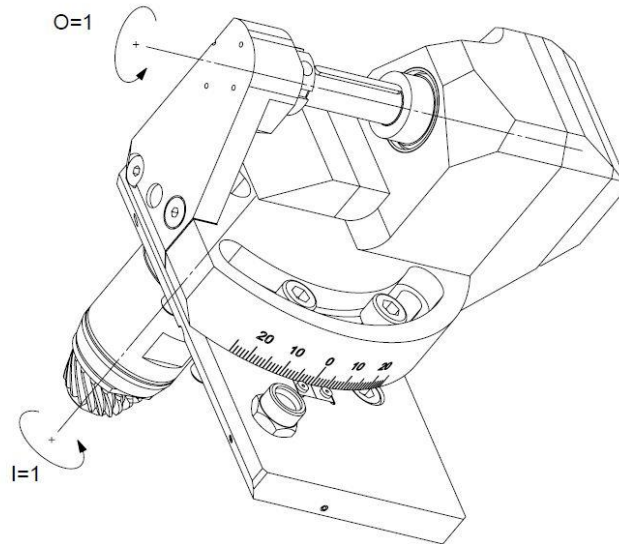
Attachement: Arbre Ø13mm

Refroidissement externe

Infos:

- Incluable +/-25°

- Arrosage externe : pression max. 100 bar

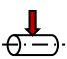
KSH132-25

Machine: CITIZEN Cincom

Type: M432

Location, N°: Turret

Work on: Main spindle

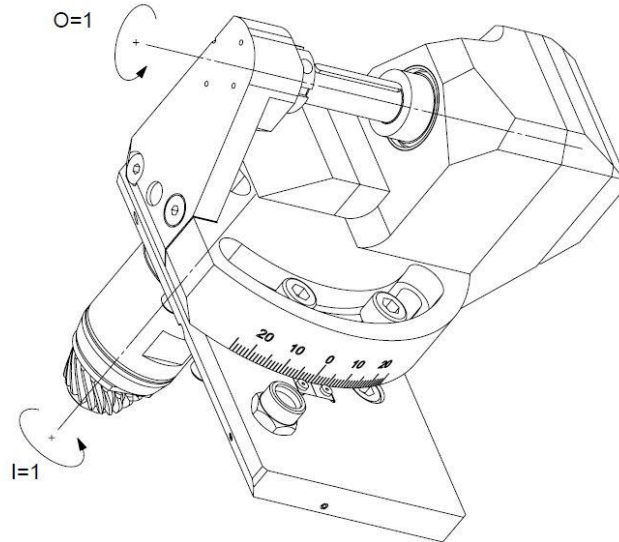
Type of work:  n_{\max} : 6'000 [rpm] $i (n_i / n_o)$: 1 / 1

Attachement: Shaft Ø13mm

External coolant

Infos:

- Possible inclination +/-25°
- External coolant : max. pressure 100 bar

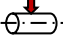
KSH132-25

Machine: CITIZEN Cincom

Typ: M432

Position, N°: Revolver

Arbeit über: Hauptspindel

Arbeitstyp:  n_{\max} : 6'000 [rpm] $i (n_i / n_o)$: 1 / 1

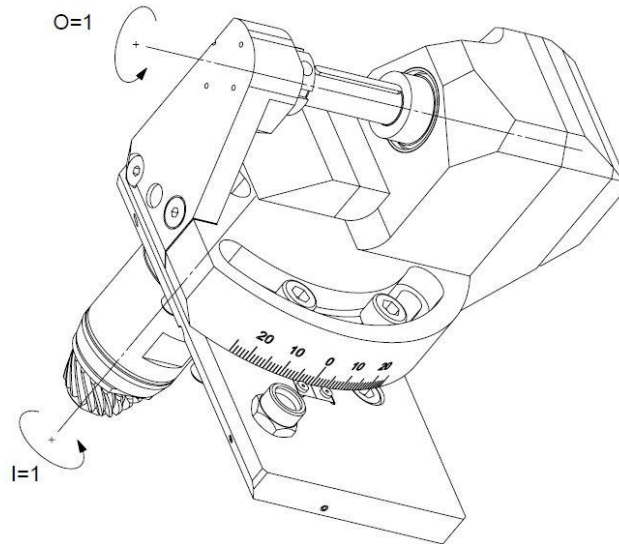
Befestigung: Schaft Ø13mm

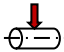
Ausser Kühlmittel

Infos:

- Neigung +/-25°

- Ausser Kühlmittel : max. Druck 100 bar

KSH132-25

Macchina: CITIZEN Cincom
Tipo: M432
Posizione, N°: Toretta
Lavoro al: Mandrino principale
Tipo di lavoro: 
 n_{max} : 6'000 [rpm]
 $i (n_i / n_o)$: 1 / 1
Ataccamento: Codolo Ø13mm

Refrigerante esterno

Informazioni:

- Inclinazione +/-25°
- Refrigerante esterno : pressione massima 100 bar