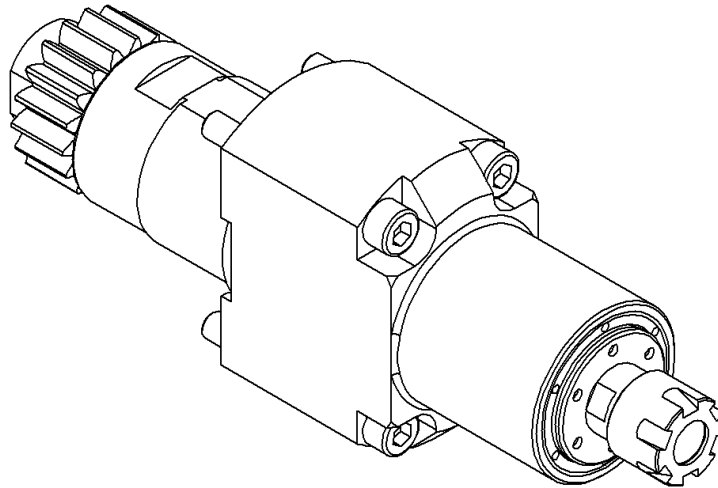


BSC1107-4x

Machine: CITIZEN Cincom

Type: A232-VII / A32-VII / A320-VII / D25-VII / L32-1M8 / L32-1M10 / L32-1M12 /
L220-2M8 / L220-2M10 / M32-4M5 / M32-4M8 / M32-5M5 / M32-5M7 /
M32-5M8

Emplacement, N°: Upper gang tool post / Back tool post

Travail sur: Broche principale

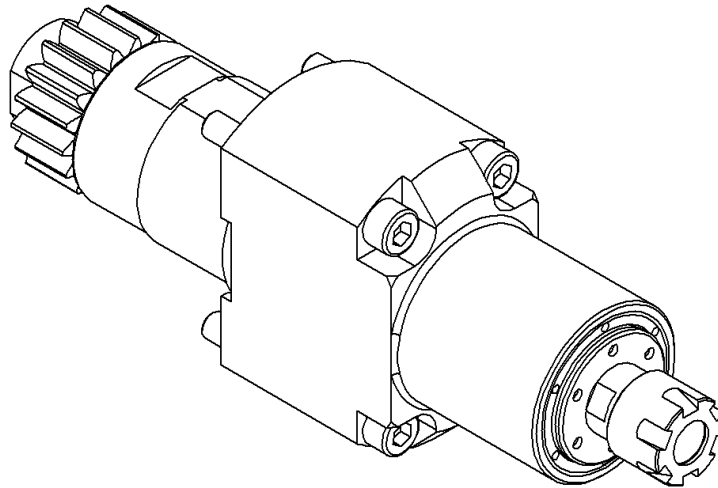
Type de travail: n_{max}: 22'800 [rpm]i (n_i / n_o): 1 / 3.8

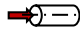
Attachement: ER11

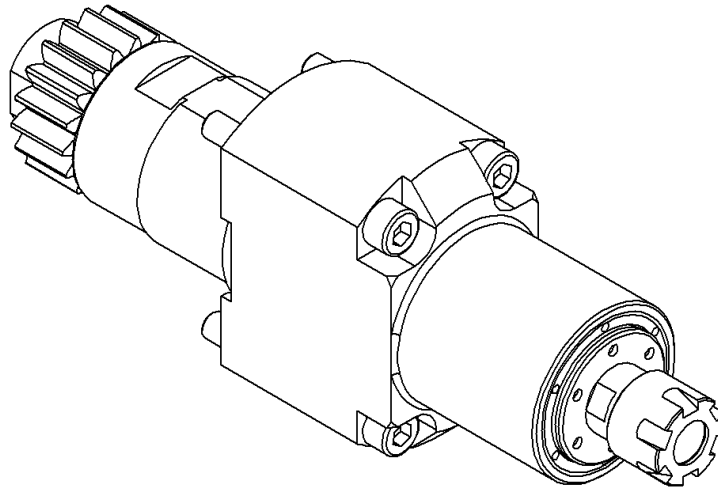
Sans refroidissement

Infos:

Couple max : 0.2 Nm

BSC1107-4x

Machine:	CITIZEN Cincom
Type:	L32
Location, N°:	A232-VII / A32-VII / A320-VII / D25-VII / L32-1M8 / L32-1M10 / L32-1M12 / L220-2M8 / L220-2M10 / M32-4M5 / M32-4M8 / M32-5M5 / M32-5M7 / M32-5M8
Position, N°:	Upper gang tool post / Back tool post
Work on:	Main spindle
Type of work:	
n_{max} :	22'800 [rpm]
i (n_i / n_o):	1 / 3.8
Attachement:	ER 11
Without coolant	
Infos:	
Torque max: 0.2 Nm	

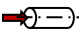
BSC1107-4x

Machine: CITIZEN Cincom

Typ: A232-VII / A32-VII / A320-VII / D25-VII / L32-1M8 / L32-1M10 / L32-1M12 /
L220-2M8 / L220-2M10 / M32-4M5 / M32-4M8 / M32-5M5 / M32-5M7 /
M32-5M8

Position, N°: Upper gang tool post / Back tool post

Arbeit über: Hauptspindel

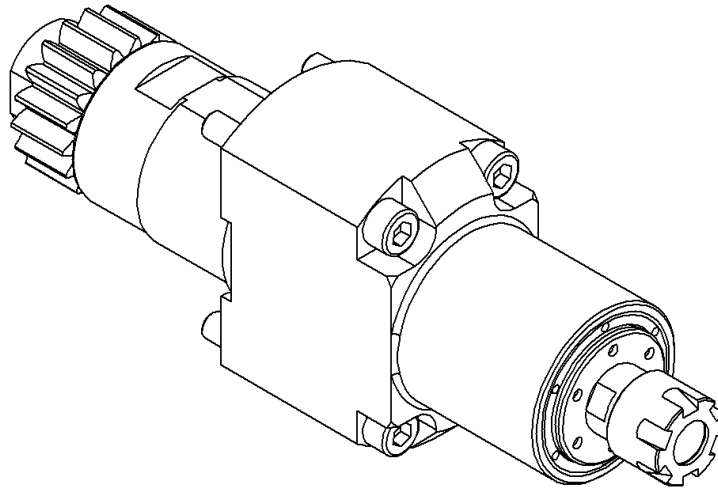
Arbeitstyp: n_{max}: 22'800 [rpm]i (n_i / n_o): 1 / 3.8

Befestigung: ER 11

Ohne Kühlmittel

Infos:

Max. Drehmoment: 0.2 Nm

BSC1107-4x**Macchina:** CITIZEN Cincom**Tipo:** A232-VII / A32-VII / A320-VII / D25-VII / L32-1M8 / L32-1M10 / L32-1M12 / L220-2M8 / L220-2M10 / M32-4M5 / M32-4M8 / M32-5M5 / M32-5M7 / M32-5M8**Posizione, N°:** Upper gang tool post / Back tool post**Lavoro al:** Mandrino**Tipo di lavoro:** **n_{max}:** 22'800 [rpm]**i (n_i / n_o):** 1 / 3.8**Atacco:** ER 11

Senza refrigerante

Informazioni:

Coppia max: 0.2 Nm