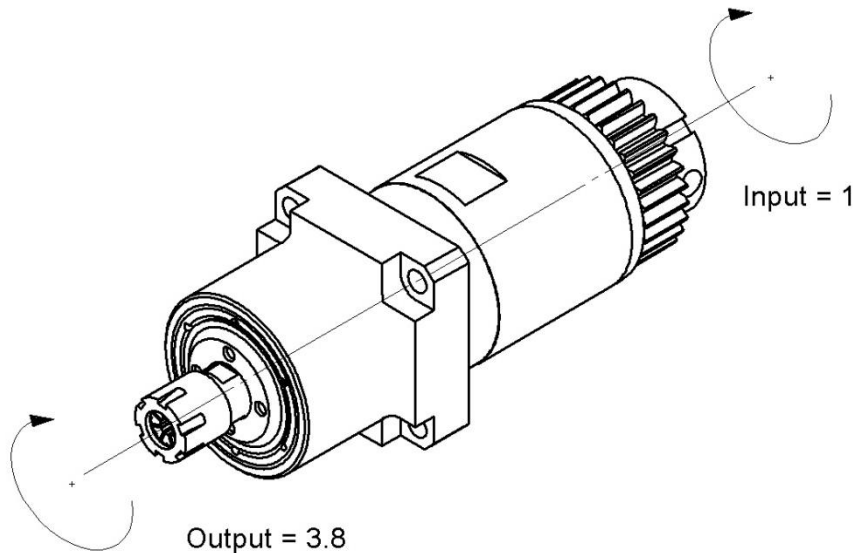
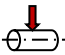
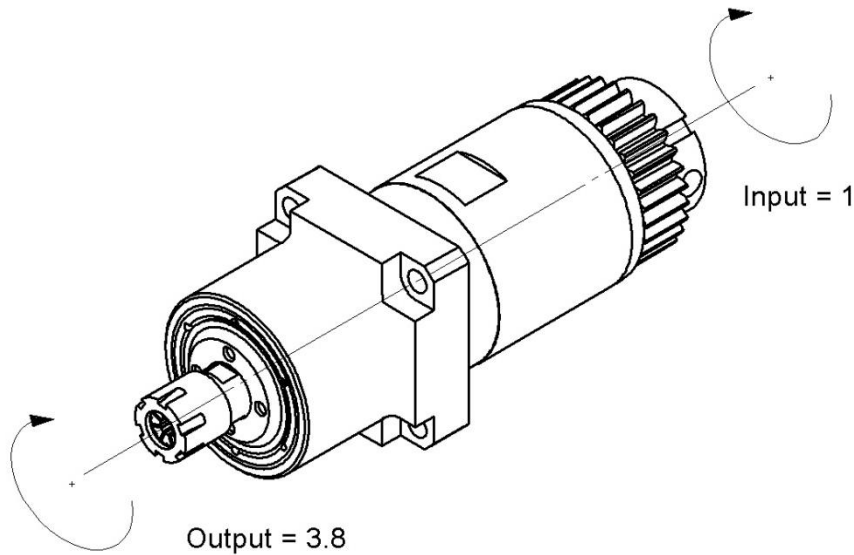
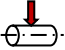
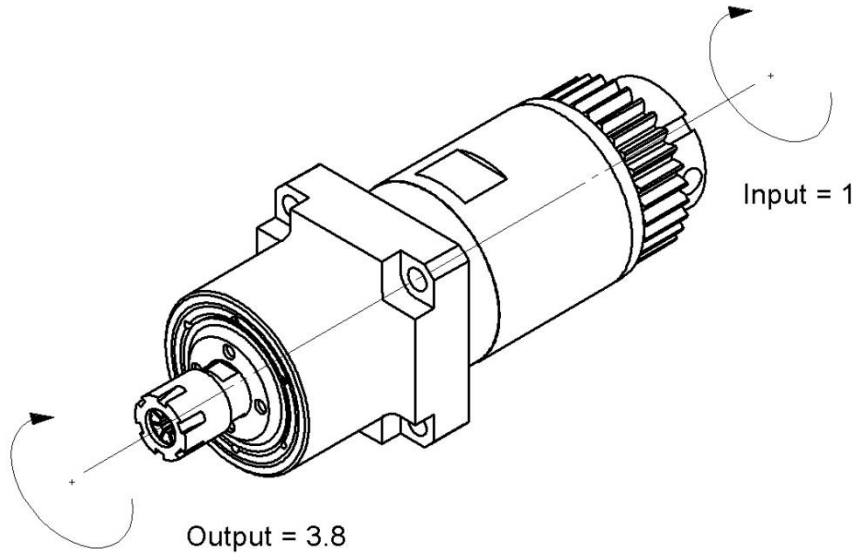


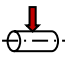
**0200-SC008-A00A00-1S01**

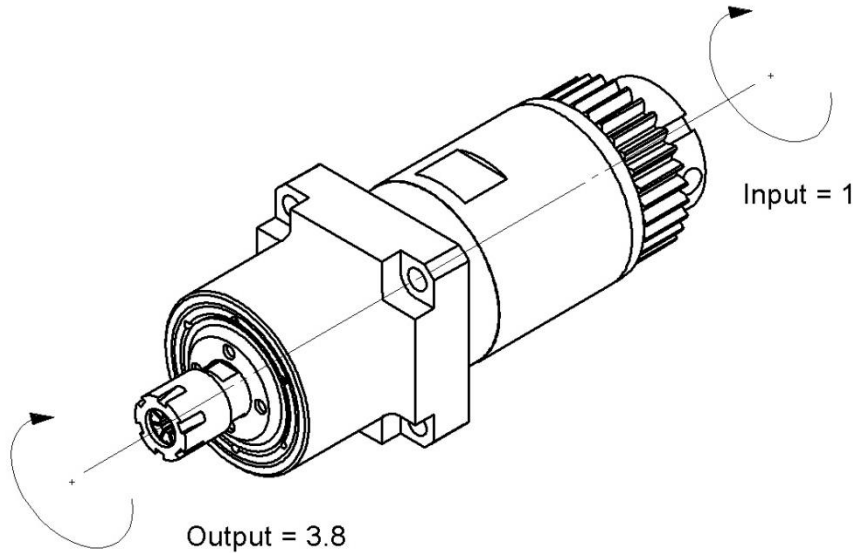
Machine:	STAR MICRONICS
Type:	SB12/20R , SR-20J/JN , SR 20R II , SR-20R III , SR-20R-IV SR-32J/JN , SR-32J II SV-12 , SV-20 , SV-20R , SV-32 , SV-32J II , SV-38 SW-20
Emplacement, N°:	Back tool post
Travail sur:	Broche principale
Type de travail:	
$n_{max}$ :	22'800 [rpm]
$i$ ( $n_i / n_o$ ):	1 / 3.8
Attachement:	ER08
Infos:	
Couple max :	0.2 Nm

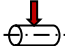
**0200-SC008-A00A00-1S01**

Machine:	STAR MICRONICS
Type:	SB12/20R , SR-20J/JN , SR 20R II , SR-20R III , SR-20R-IV SR-32J/JN , SR-32J II SV-12 , SV-20 , SV-20R , SV-32 , SV-32J II , SV-38 SW-20
Location, N°:	Back tool post
Work on:	Main spindle
Type of work:	
$n_{max}$ :	22'800 [rpm]
$i (n_i / n_o)$ :	1 / 3.8
Attachement:	ER08
Infos:	
Torque max:	0.2 Nm

**0200-SC008-A00A00-1S01**

Maschine:	STAR MICRONICS
Typ:	SB12/20R , SR-20J/JN , SR 20R II , SR-20R III , SR-20R-IV SR-32J/JN , SR-32J II SV-12 , SV-20 , SV-20R , SV-32 , SV-32J II , SV-38 SW-20
Position, N°:	Back tool post
Arbeit über:	Hauptspindel
Arbeitstyp:	
$n_{max}$ :	22'800 [rpm]
$i (n_i / n_o)$ :	1 / 3.8
Befestigung:	ER08
Infos:	
Max. Drehmoment:	0.2 Nm

**0200-SC008-A00A00-1S01**

Macchina:	STAR MICRONICS
Tipo:	SB12/20R , SR-20J/JN , SR 20R II , SR-20R III , SR-20R-IV SR-32J/JN , SR-32J II SV-12 , SV-20 , SV-20R , SV-32 , SV-32J II , SV-38 SW-20
Posizione, N°:	Back tool post
Lavoro al:	Mandrino principale
Tipo di lavoro:	
$n_{max}$ :	22'800 [rpm]
$i (n_i / n_o)$ :	1 / 3.8
Atacco:	ER08
Informazioni:	
Coppia max:	0.2 Nm