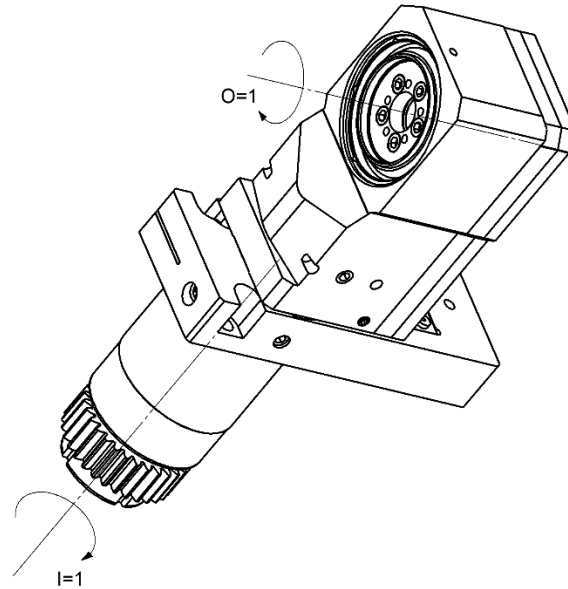
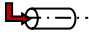
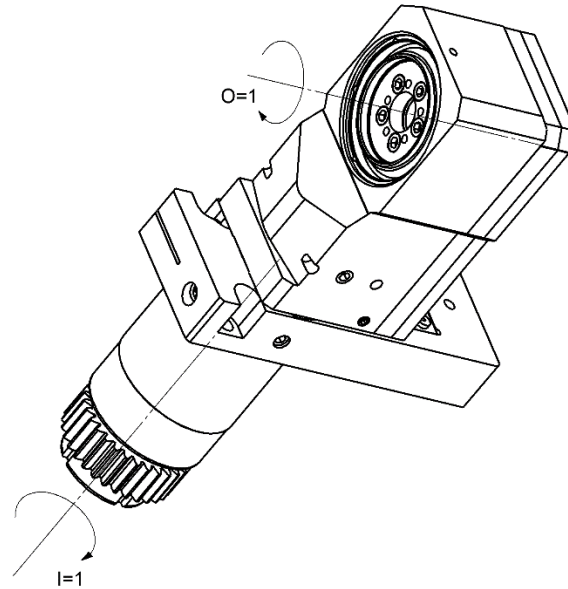
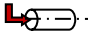
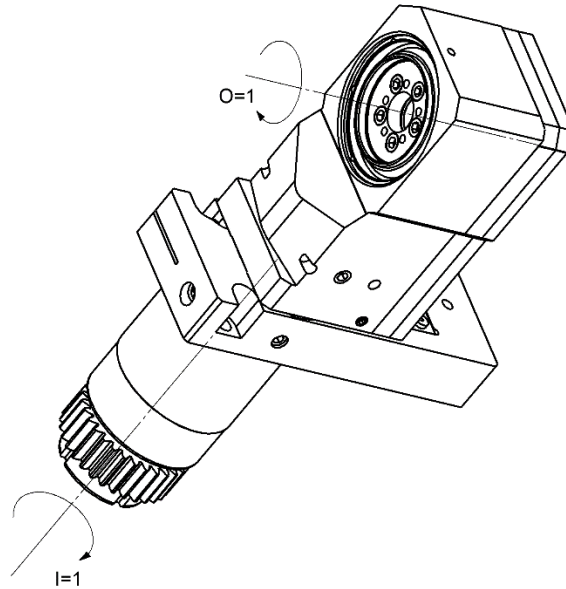


**0200-SW010-RA0000-1S04**

Machine: STAR  
Type: SB 12/16/20R  
Emplacement, N°: Upper gang tool post  
Travail sur: Broche principale  
Type de travail:   
n<sub>max</sub>: 8000 [rpm]  
i (n<sub>i</sub> / n<sub>o</sub>): 1 / 1  
Attachement: Autre  
Sans refroidissement  
Infos:  
Tête à tourbillonner α :20°, Arbre primaire monobloc

**0200-SW010-RA0000-1S04**

Machine: STAR  
Type: SB 12/16/20R  
Location, N°: Upper gang tool post  
Work on: Main spindle  
Type of work:   
n<sub>max</sub>: 8000 [rpm]  
i (n<sub>i</sub> / n<sub>o</sub>): 1 / 1  
Attachement: Other  
Without coolant  
Infos:  
Whirling head  $\alpha$ :20°, monobloc primary shaft

**0200-SW010-RA0000-1S04**

Maschine: STAR  
Typ: SB 12/16/20R  
Position, N°: Upper gang tool post  
Arbeit über: Hauptspindel  
Arbeitstyp:   
n<sub>max</sub>: 8000 [rpm]  
i (n<sub>i</sub> / n<sub>o</sub>): 1 / 1  
Befestigung: Andere  
Ohne Kühlmittel  
Infos:  
Gewindewirbelkopf  $\alpha:20^\circ$ , monobloc Primärwelle