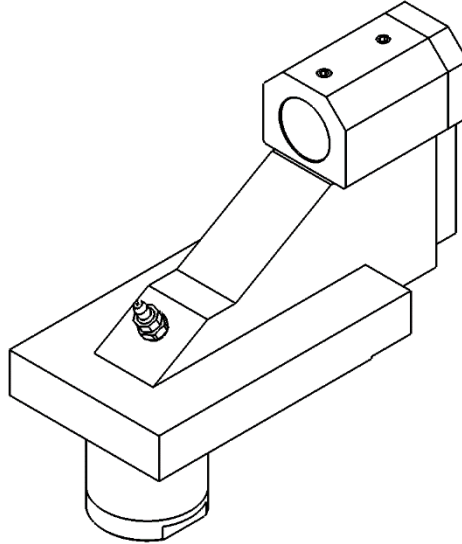


0200-DF250-R000H0-1S01

Machine: Star Micronics

Type: ST20/ Ecas20T/ SV20R

Emplacement, N°: Tourelle

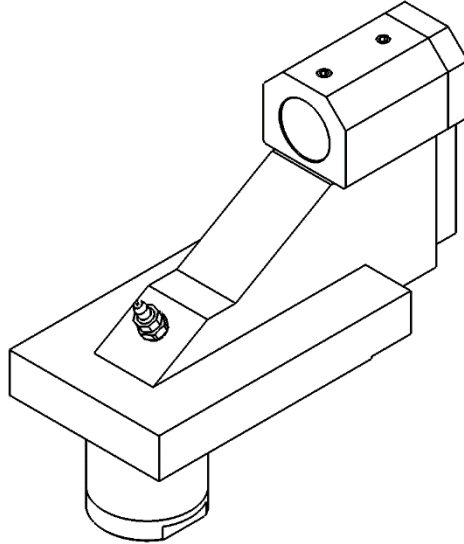
Travail sur: Broche principale / Broche de reprise

Type de travail: n_{max}: - [rpm]i (n_i / n_o): - / -

Attachement: Ø 25 mm

Refroidissement externe / Refroidissement interne Pression maximale: 120 [bar]

Infos:

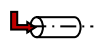
0200-DF250-R000H0-1S01

Machine: Star Micronics

Type: ST20/ Ecas20T/ SV20R

Location, N°: Turret

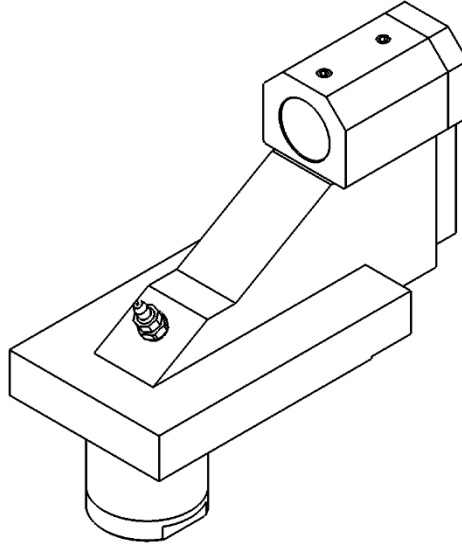
Work on: Main spindle / Back spindle

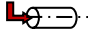
Type of work: n_{max}: - [rpm]i (n_i / n_o): - / -

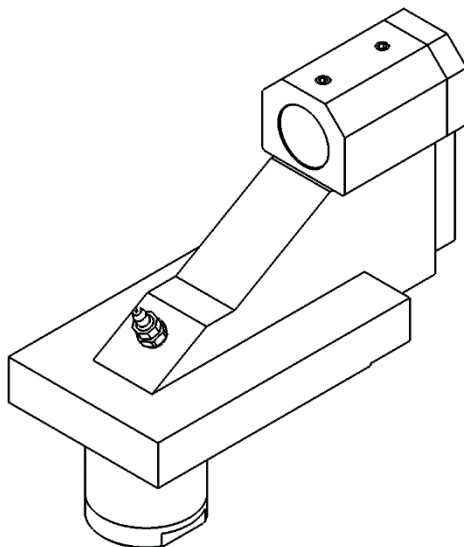
Attachement: Ø 25 mm

External coolant / Internal coolant Maximum pressure: 120 [bar]

Infos:

0200-DF250-R000H0-1S01

Maschine: Star Micronics
Typ: ST20/ Ecas20T/ SV20R
Position, N°: Revolver
Arbeit über: Hauptspindel / Abgreifspindel
Arbeitstyp: 
n_{max}: - [rpm]
i (n_i / n_o): - / -
Befestigung: Ø 25 mm
Ausser Kühlmittel / Inner Kühlmittel Maximaler Druck:120 [bar]
Infos:

0200-DF250-R000H0-1S01

Macchina: Star Micronics

Tipo: ST20/ Ecas20T/ SV20R

Posizione, N°: Toretta

Lavoro al: Mandrino principale / Contromandrino

Tipo di lavoro: n_{max}: - [rpm]i (n_i / n_o): - / -

Atacco: Ø 25 mm

Refrigerante esterno / Refrigerante interno Pressione massima: 120 [bar]

Informazioni: